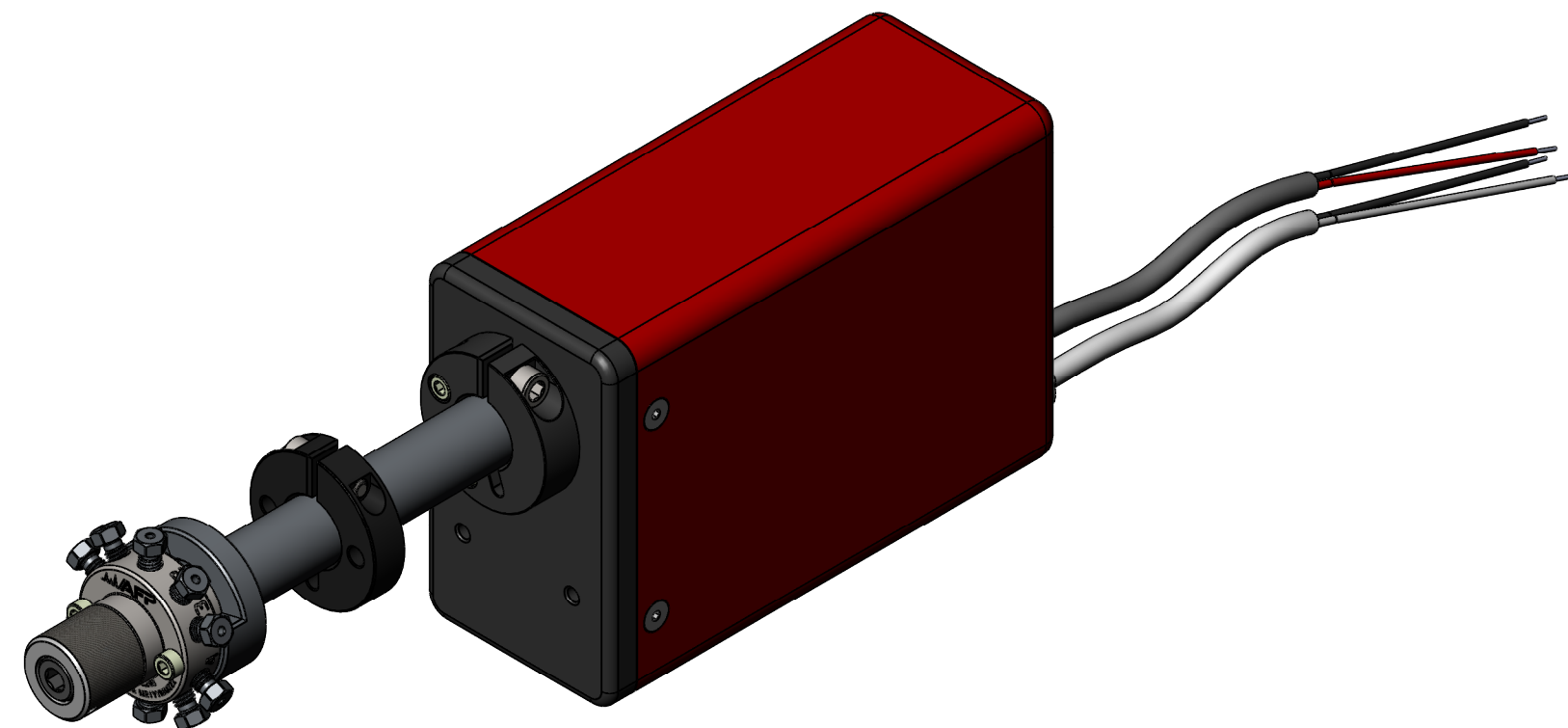
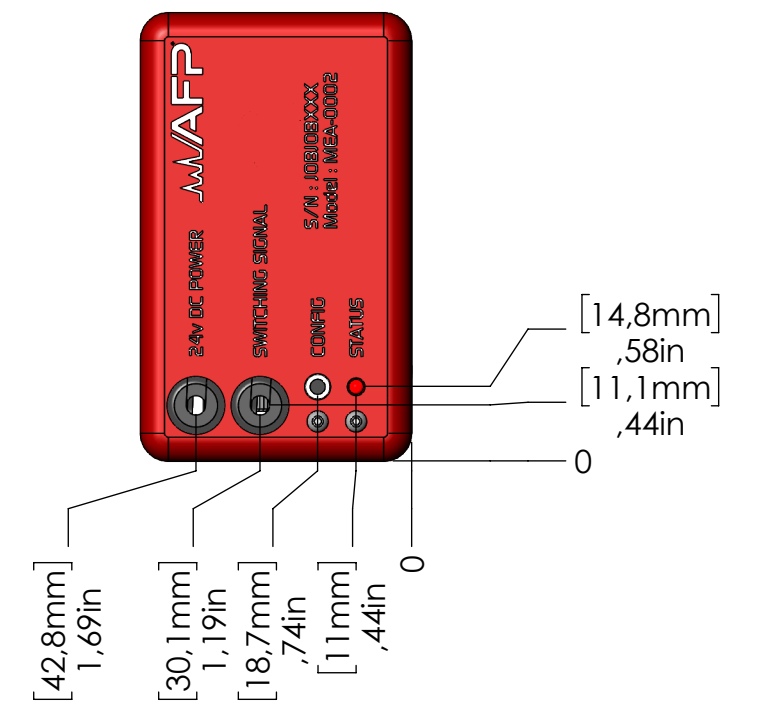
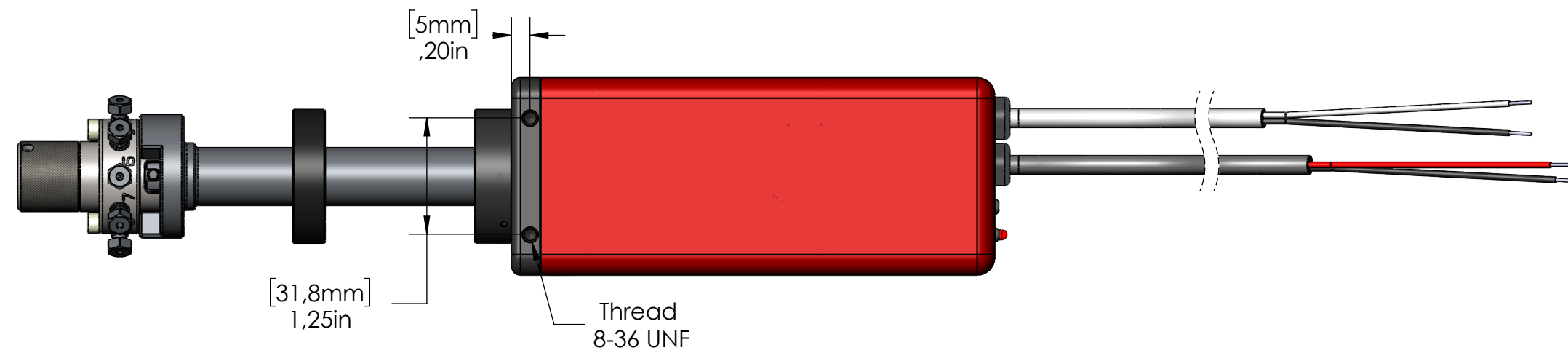
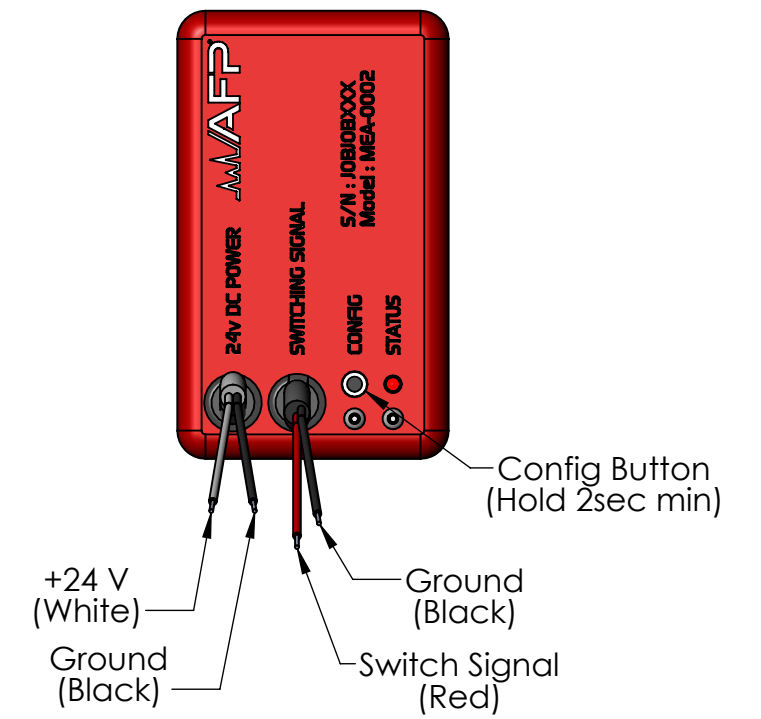
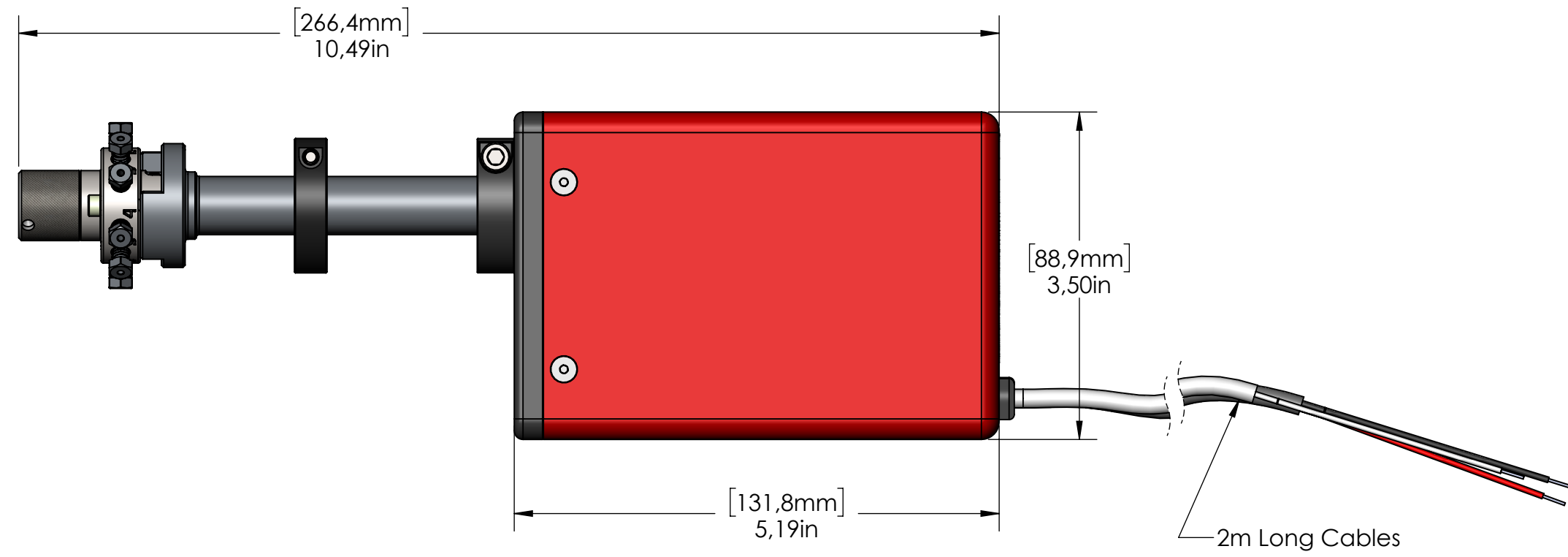
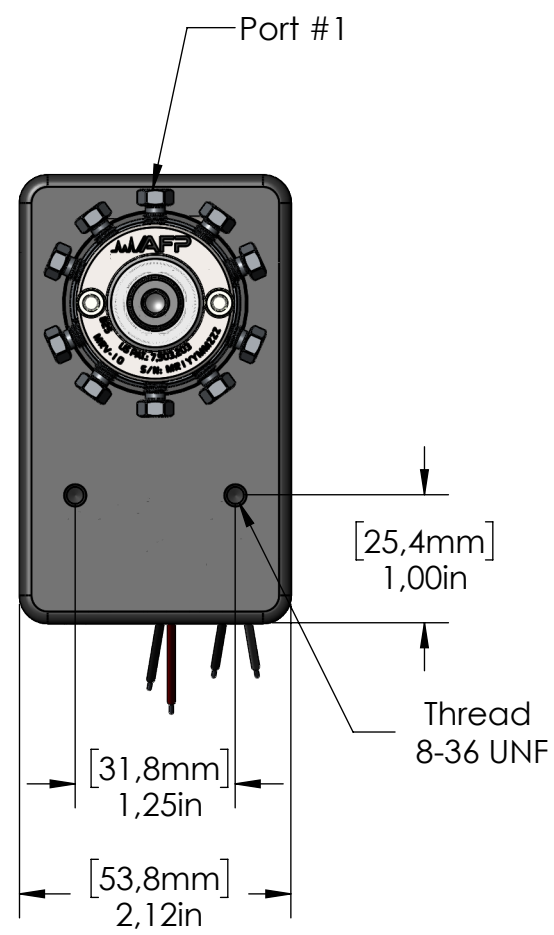




DATE	SYM	REVISION RECORD	ECO	DWN	ENG	MFG
2019-04-25	00	INITIAL RELEASE	0115	AC	AC	SL



**SPECIFICATIONS:**

PRODUCT P/N	MRV10-16R2-0007-4E
VALVE P/N	MRV10-16R2-0007
VALVE TYPE	HIGH PERFORMANCE GRADE, MEDIUM TEMPERATURE
NUMBER OF PORTS	10
PORT SIZE	0.025" [0.64 mm]
PORT CONNECTION	1/16" [1.6 mm]
MAX. WORKING PRESSURE	400 psig [2030 kPa]
MAX. INITIAL LEAK RATE	8.5E-10 Atm-cc/s He
MAX. INITIAL PRESSURE DROP	2 kPa @ 75 sccm N <sub>2</sub> , max. 1 kPa between any sections
STAND-OFF LENGTH	4" [101.6 mm]
ACTUATOR TYPE	ELECTRONIC SINGLE ACTUATION
CONTROL TYPE	DRY CONTACT
ACTUATOR POWER INPUT	24 VDC, 2 A min.
VALVE MAX. WORKING TEMPERATURE	437°F [225°C]
ACTUATOR MAX. WORKING TEMP.	140°F [60°C]
MATERIAL	NITRONIC 60 VALVE STATOR R2 ROTOR TYPE

MATERIAL:		2659, boul. du Parc Technologique, Quebec, Quebec, CANADA G1P 4S5	
FINISH:		 Tel: 418-338-0004 Fax: 418-338-2500 Email: info@afproducts.ca Web: www.afproducts.ca	
 ACCORDANCE WITH LATEST ASME Y14.5		DESCRIPTION: 400psig R2 B25 STO4" MEA	
PROPRIETARY INFORMATION THIS DRAWING IS THE PROPERTY OF APN-AFP INC. IT IS RETURNABLE UPON REQUEST AND MUST NOT BE REPRODUCED OR THE INFORMATION CONTAINED HEREIN TRANSMITTED TO ANY UNAUTHORIZED PERSON OR ORGANIZATION WITHOUT THE WRITTEN CONSENT OF APN-AFP INC.	UNIT <b>IN</b>	SIZE <b>C</b>	DWG. NO. MRV10-16R2-0007-4E
	SCALE 2:3	SHEET 1	REV. 00
		OF 2	