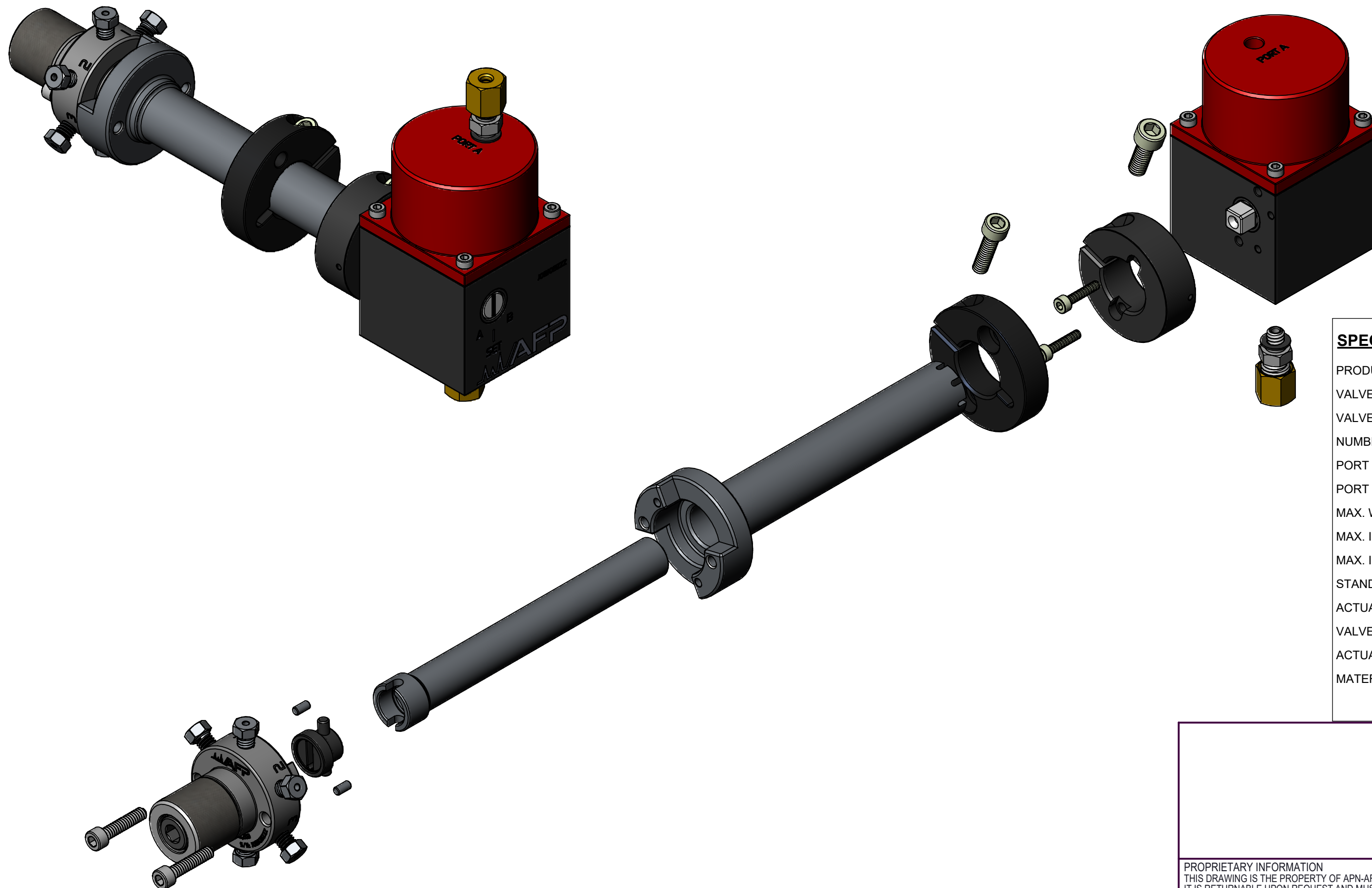
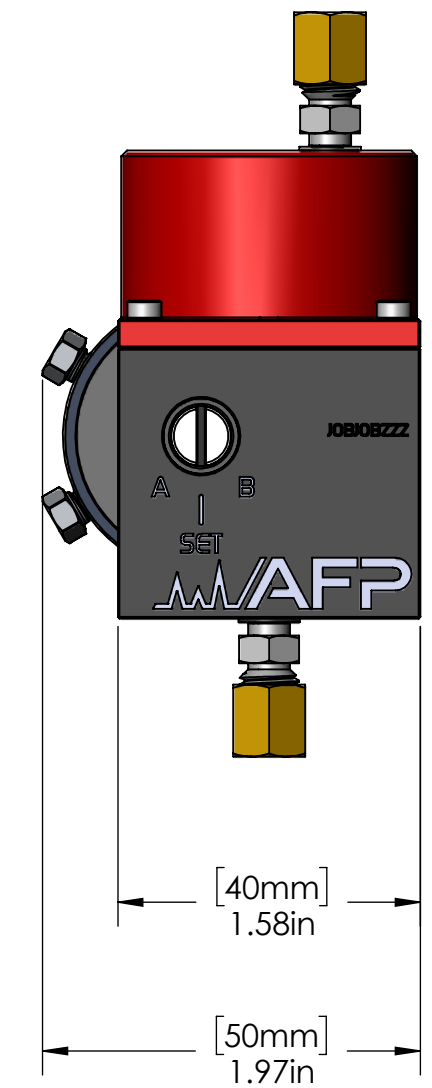
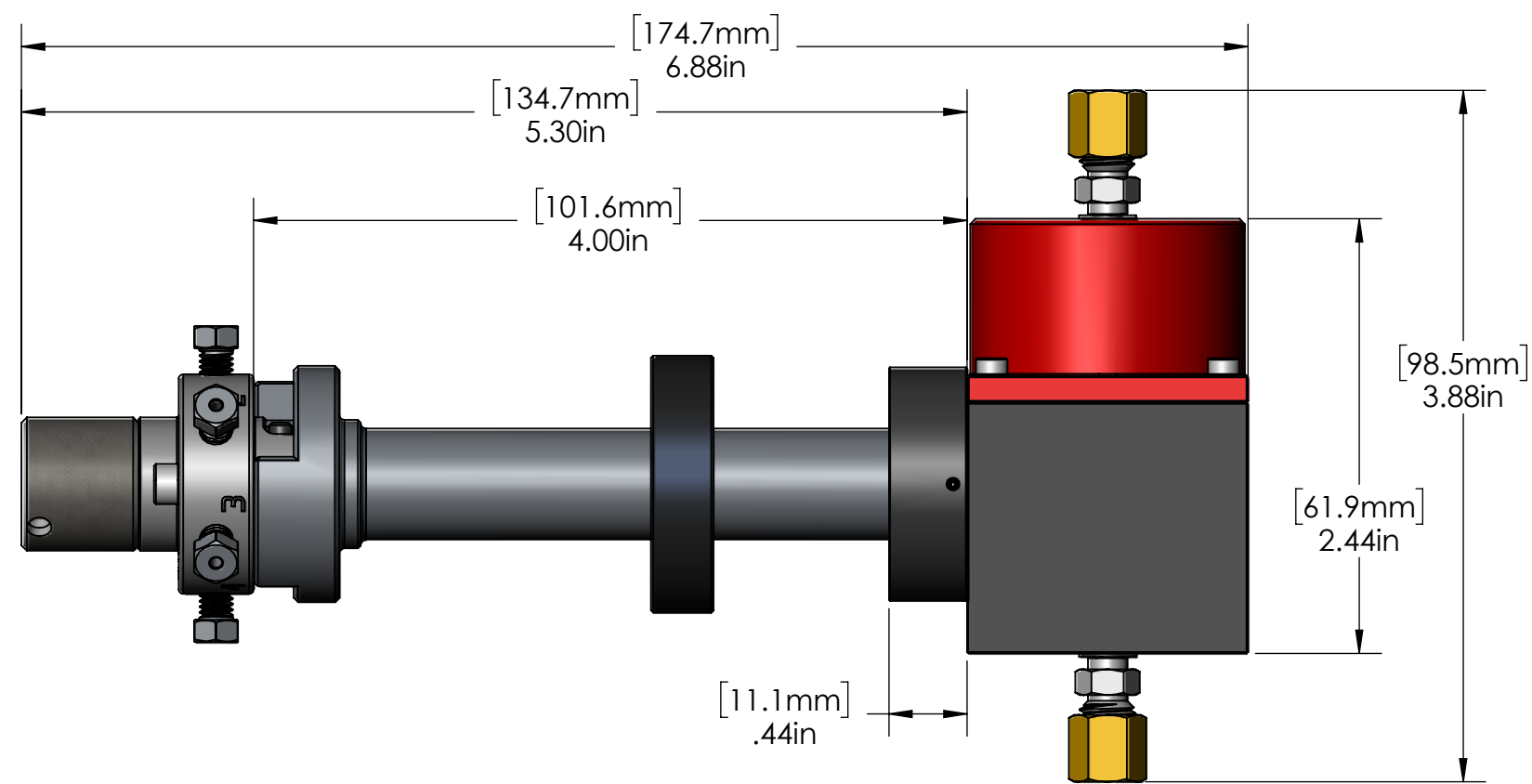



DATE	SYM	REVISION RECORD	ECO	DWN	ENG	MFG
2023-08-01	00	INITIAL RELEASE		EB	JS	CB



SPECIFICATIONS:

PRODUCT P/N	MRV06-16R3-0001-4P
VALVE P/N	MRV06-16R3-0001
VALVE TYPE	HIGH PERFORMANCE GRADE, HIGH TEMPERATURE
NUMBER OF PORTS	6
PORT SIZE	0.025" [0.64 mm]
PORT CONNECTION	1/16" [1.6 mm]
MAX. WORKING PRESSURE	325 psig [2240 kPa]
MAX. INITIAL LEAK RATE.....	1 E-9 Atm-cc/s He
MAX. INITIAL PRESSURE DROP.....	2 kPa @ 75 scfm N ₂ , max. 1 kPa between any sections
STAND-OFF LENGTH	4" [101.6 mm]
ACTUATOR PRESSURE INLET.....	40 psig [275 kPa] min., 80 psig [550 kPa] max.
VALVE MAX. WORKING TEMPERATURE	662°F [350°C]
ACTUATOR MAX. WORKING TEMP.....	257°F [125°C]
MATERIAL	NITRONIC 60 VALVE STATOR R3 ROTOR TYPE (MODIFIED POLYIMIDE)

MATERIAL:	FINISH: MS-1021	 2659, boul. du Parc Technologique, Quebec, CANADA G1P 4S5 Tel.: 418-338-0004 Fax: 418-338-2500 Email: info@afproducts.ca Web: www.afproducts.ca			
			DESCRIPTION: MRV6-HT MPA 4" ASSEMBLY		
<small>PROPRIETARY INFORMATION THIS DRAWING IS THE PROPERTY OF APN-AFP INC. IT IS RETURNABLE UPON REQUEST AND MUST NOT BE REPRODUCED OR THE INFORMATION CONTAINED HEREIN TRANSMITTED TO ANY UNAUTHORIZED PERSON OR ORGANIZATION WITHOUT THE WRITTEN CONSENT OF APN-AFP INC.</small>		<small>UNIT</small> IN	<small>SIZE</small> C	<small>DWG. NO.</small> MRV06-16R3-0001-4P	<small>REV.</small> 00
<small>SCALE</small> 1:		<small>SHEET</small> 1 OF 2			