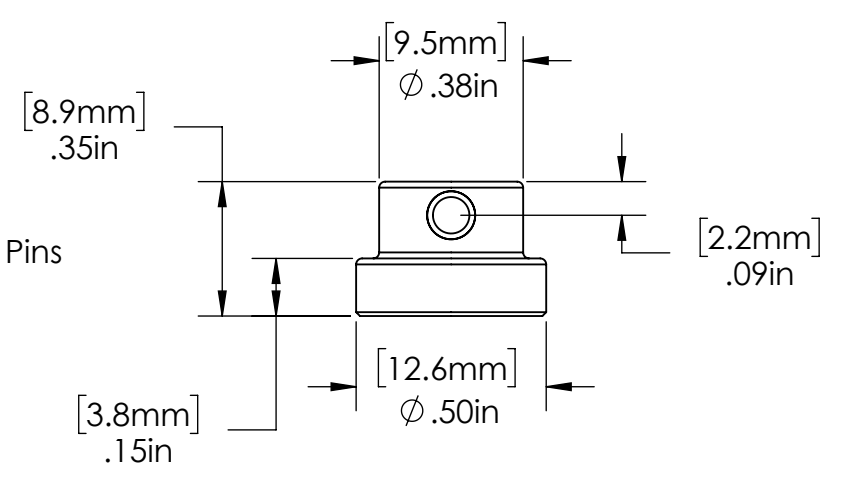
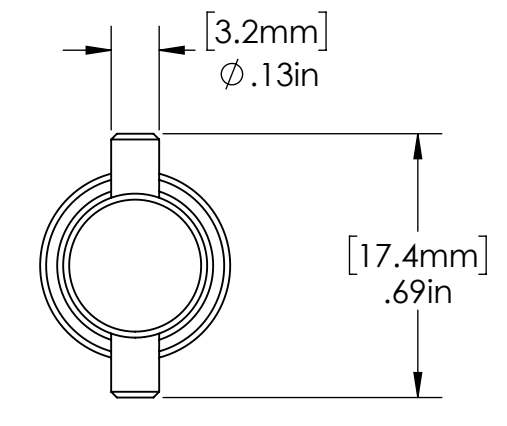
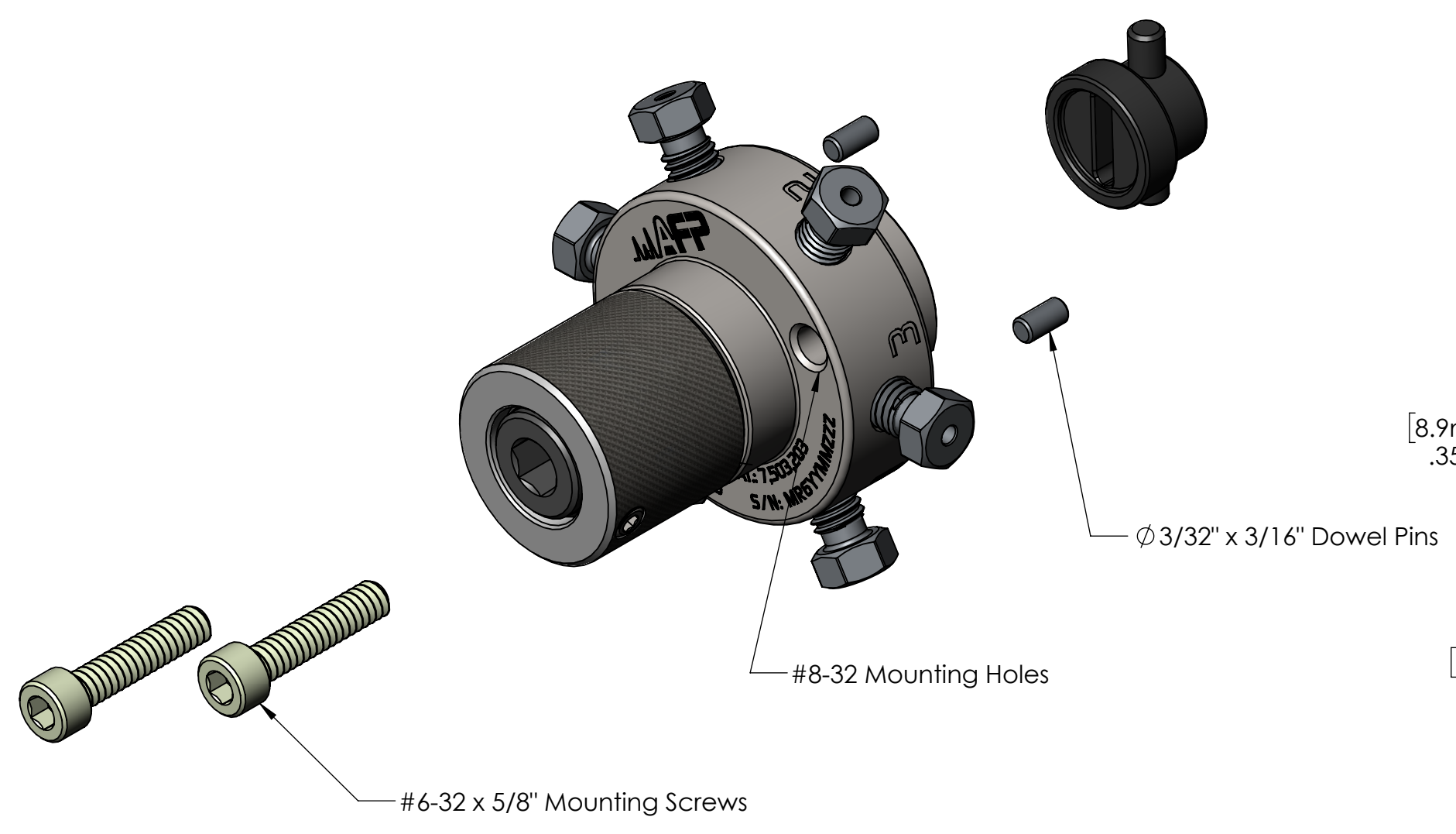
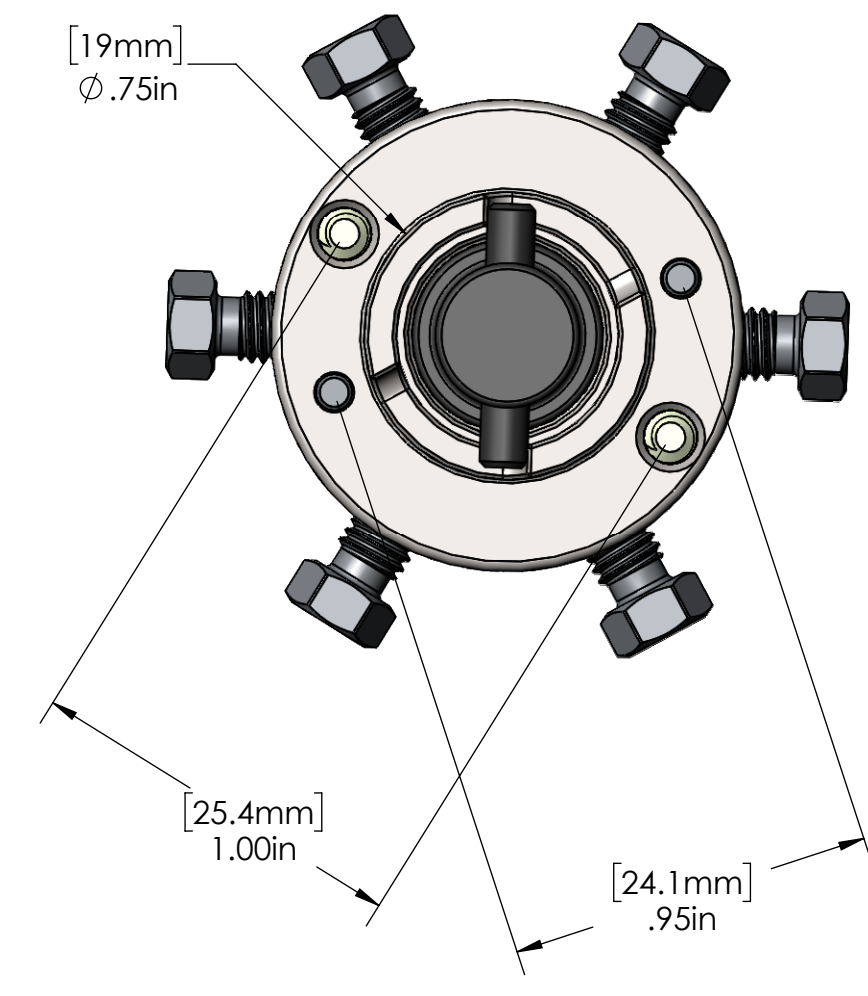
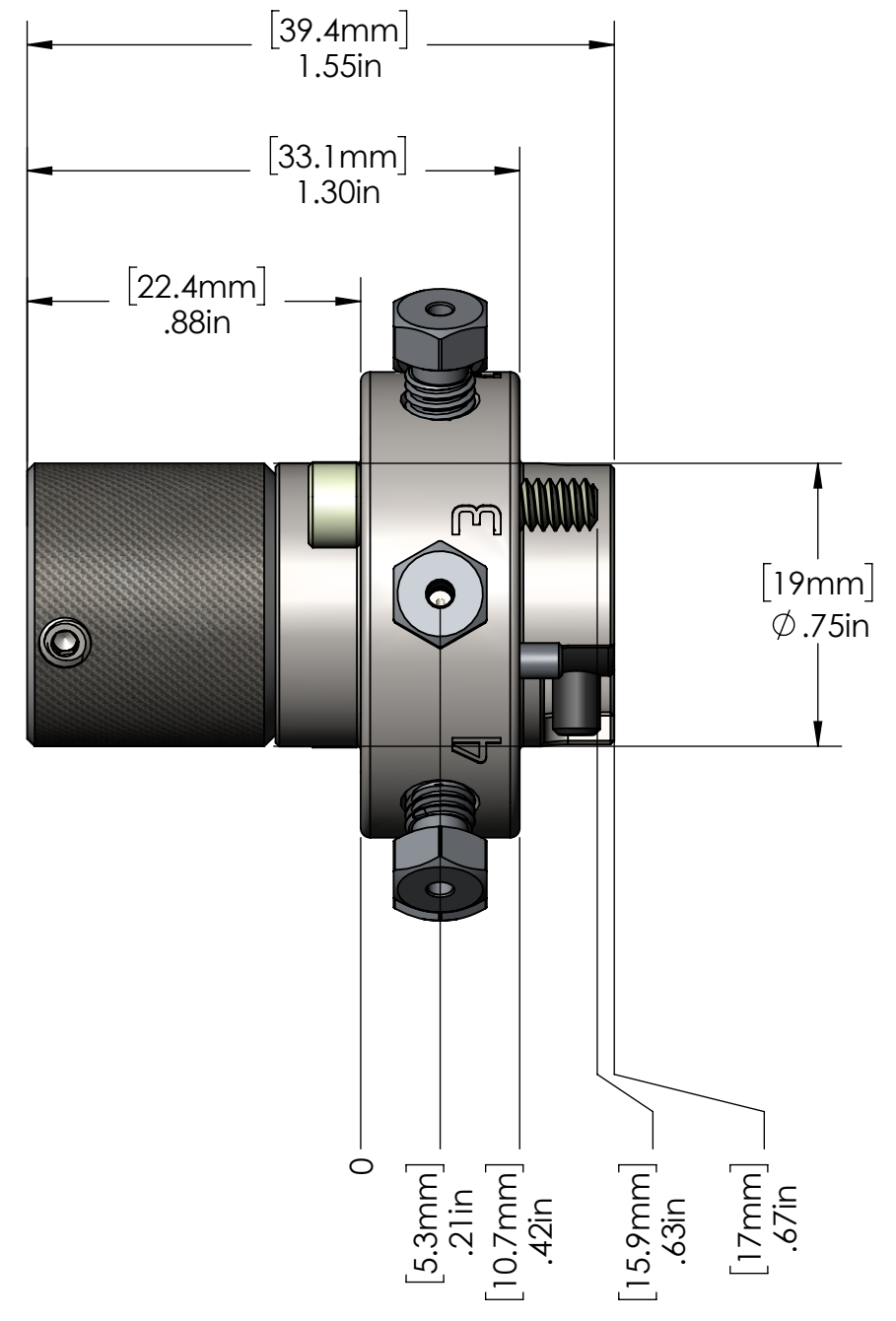
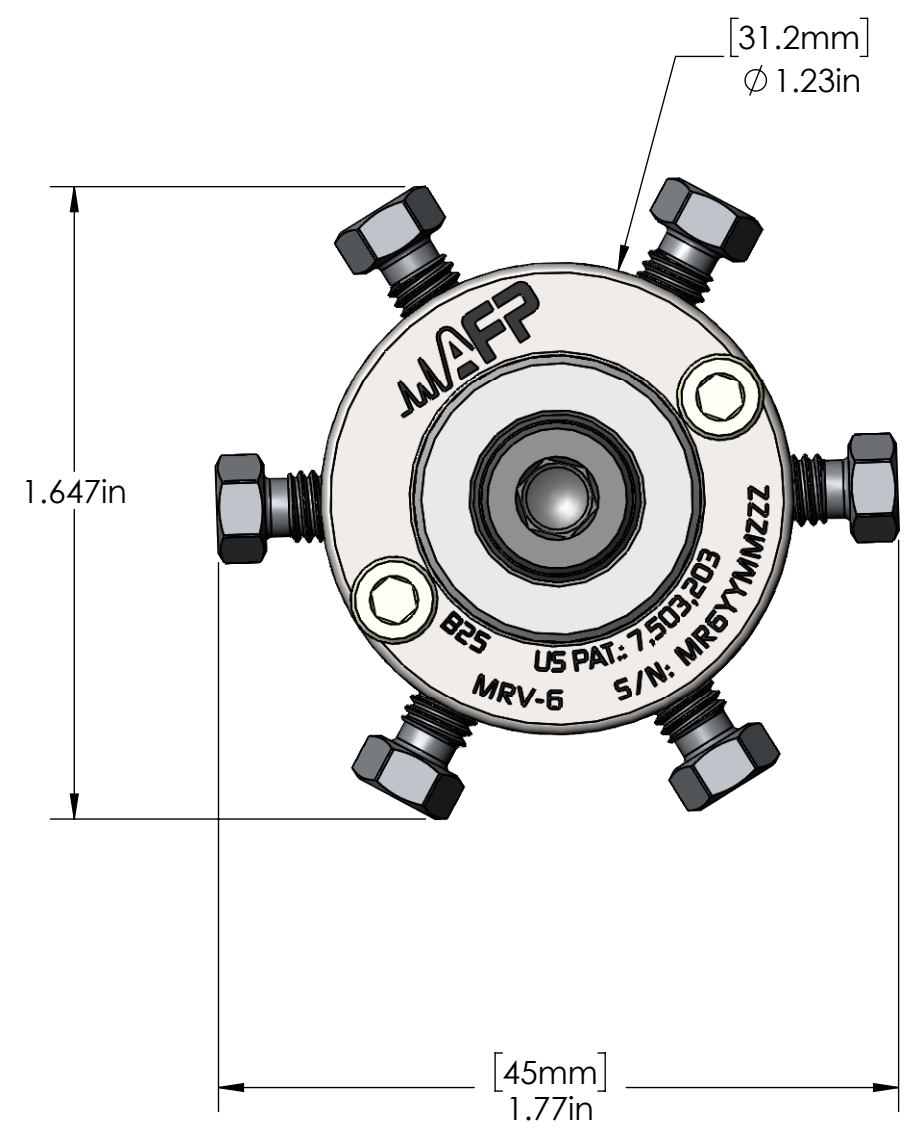


| DATE | SYM | REVISION RECORD | ECO | DWN | ENG | MFG |
|------------|-----|-----------------|------|-----|-----|-----|
| 2019-10-24 | 00 | INITIAL RELEASE | 0094 | JS | EB | SL |



Note: Max. torque <10 in-lb in operation temperature range, at lifetime cycles or stocked for a period of time

| SPECIFICATIONS: | |
|--------------------------------|--|
| PRODUCT P/N | MRV06-16R2-0007-00 |
| VALVE P/N | MRV06-16R2-0007 |
| VALVE TYPE | HIGH PERFORMANCE GRADE, MEDIUM TEMPERATURE |
| NUMBER OF PORTS | 6 |
| PORT SIZE | 0.025" [0.64 mm] |
| PORT CONNECTION | 1/16" [1.6 mm] |
| MAX. WORKING PRESSURE | 400 psig [2930 kPa] |
| MAX. INITIAL LEAK RATE | 8.5E-10 Atm-cc/s He |
| MAX. INITIAL PRESSURE DROP | 2 kPa @ 75 sccm N ₂ , max. 1 kPa between any sections |
| MAX. INITIAL TORQUE | 3 in-lb |
| VALVE MAX. WORKING TEMPERATURE | 437°F [225°C] |
| MATERIAL | NITRONIC 60 VALVE STATOR R2 ROTOR TYPE (MODIFIED PEEK) |

| | | | | |
|---|--------------------|--|--|------------|
| MATERIAL: | FINISH: MS-1021 | | 2659, boul. du Parc Technologique, Quebec, CANADA G1P 4S5 | |
| | | | Tel.: 418-338-0004 Fax: 418-338-2500 Email: info@afproducts.ca Web: www.afproducts.ca | |
| ACCORDANCE WITH LATEST ASME Y14.5 | | DESCRIPTION: REPLACEMENT MRV6-R2 ASSEMBLY | | UNIT IN |
| PROPRIETARY INFORMATION THIS DRAWING IS THE PROPERTY OF APN-AFP INC. IT IS RETURNABLE UPON REQUEST AND MUST NOT BE REPRODUCED OR THE INFORMATION CONTAINED HEREIN TRANSMITTED TO ANY UNAUTHORIZED PERSON OR ORGANIZATION WITHOUT THE WRITTEN CONSENT OF APN-AFP INC. | | SIZE C | DWG. NO. MRV06-16R2-0007-00 | REV. 00 |
| SCALE 2: | | SHEET 1 OF 2 | | |