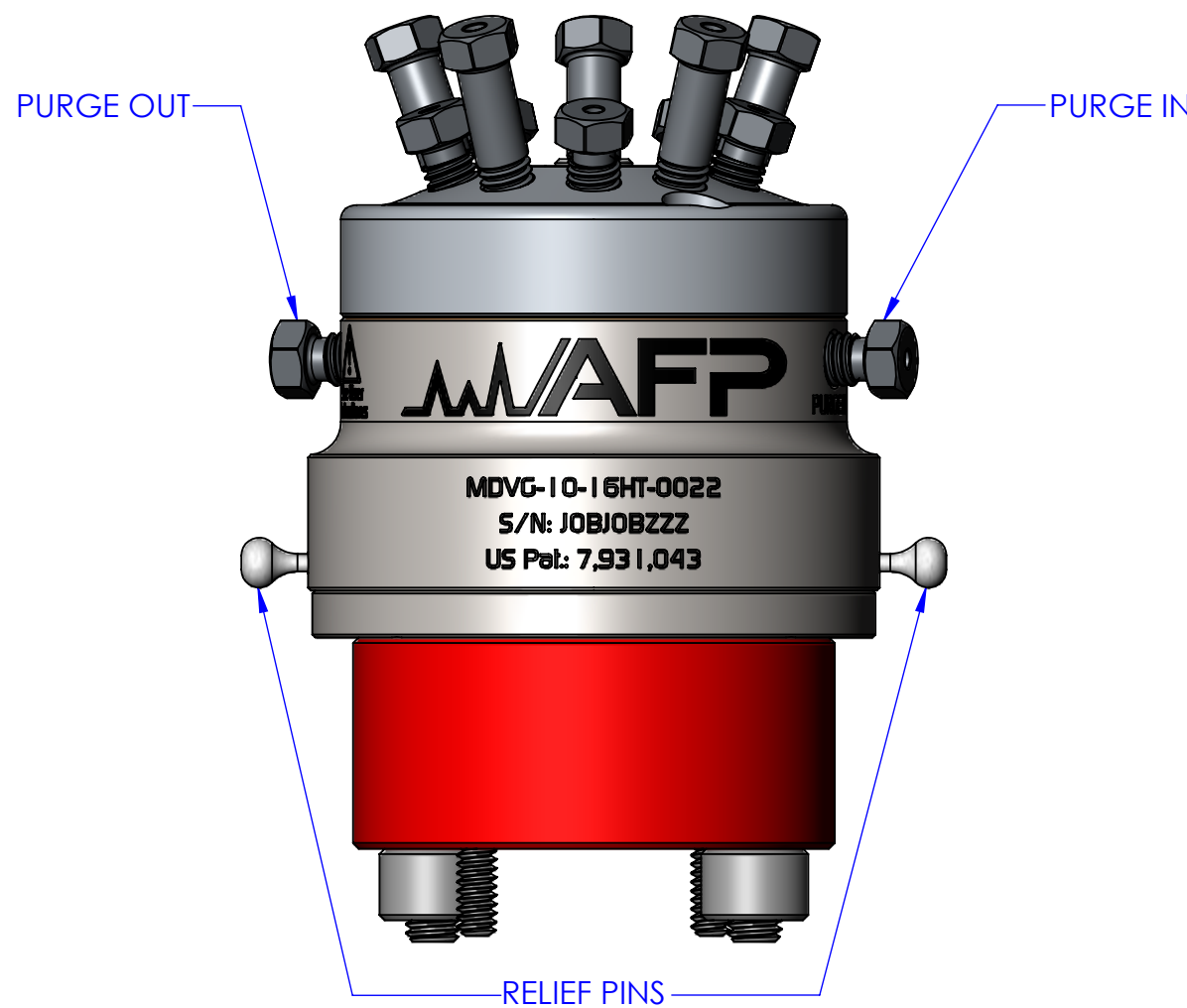
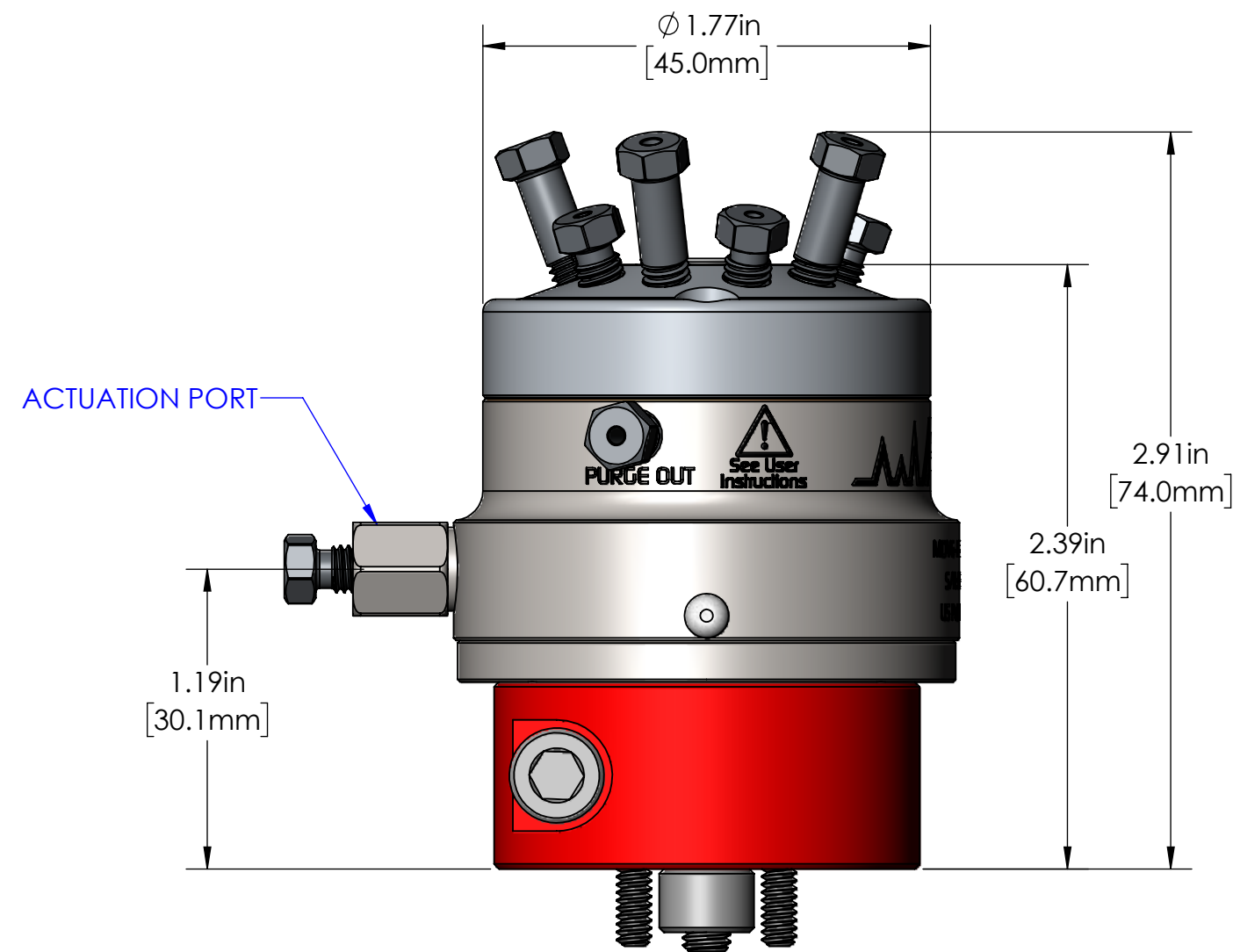
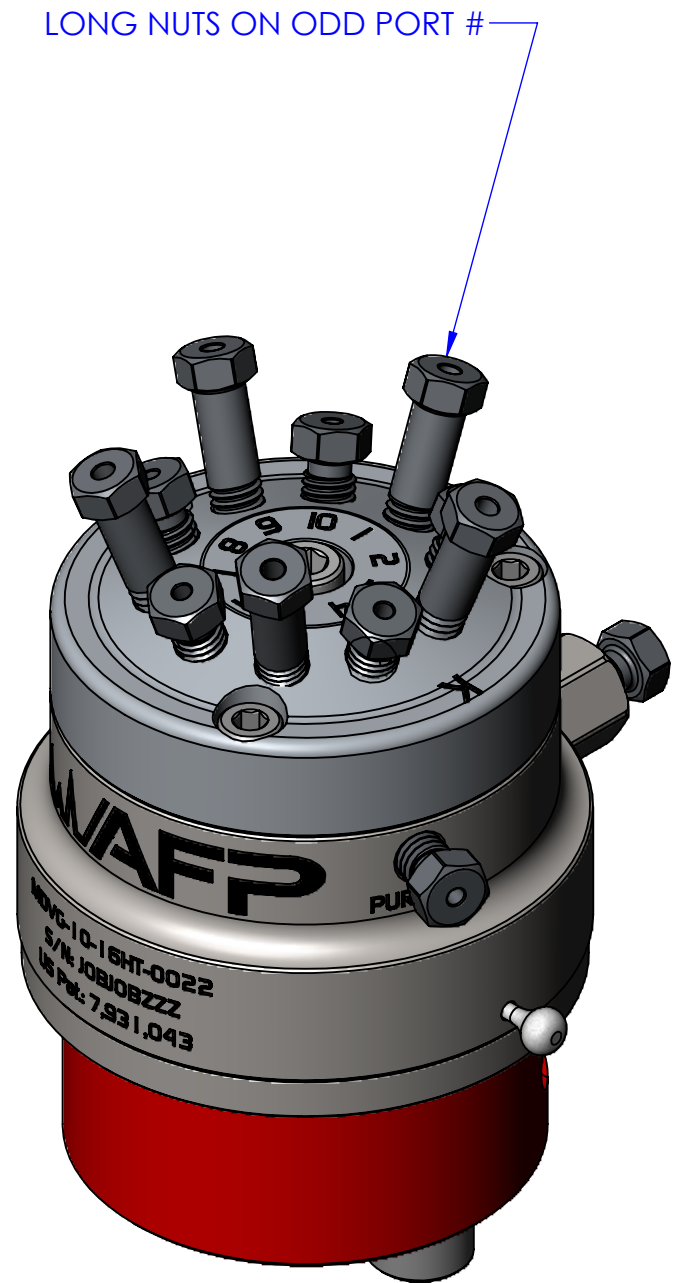
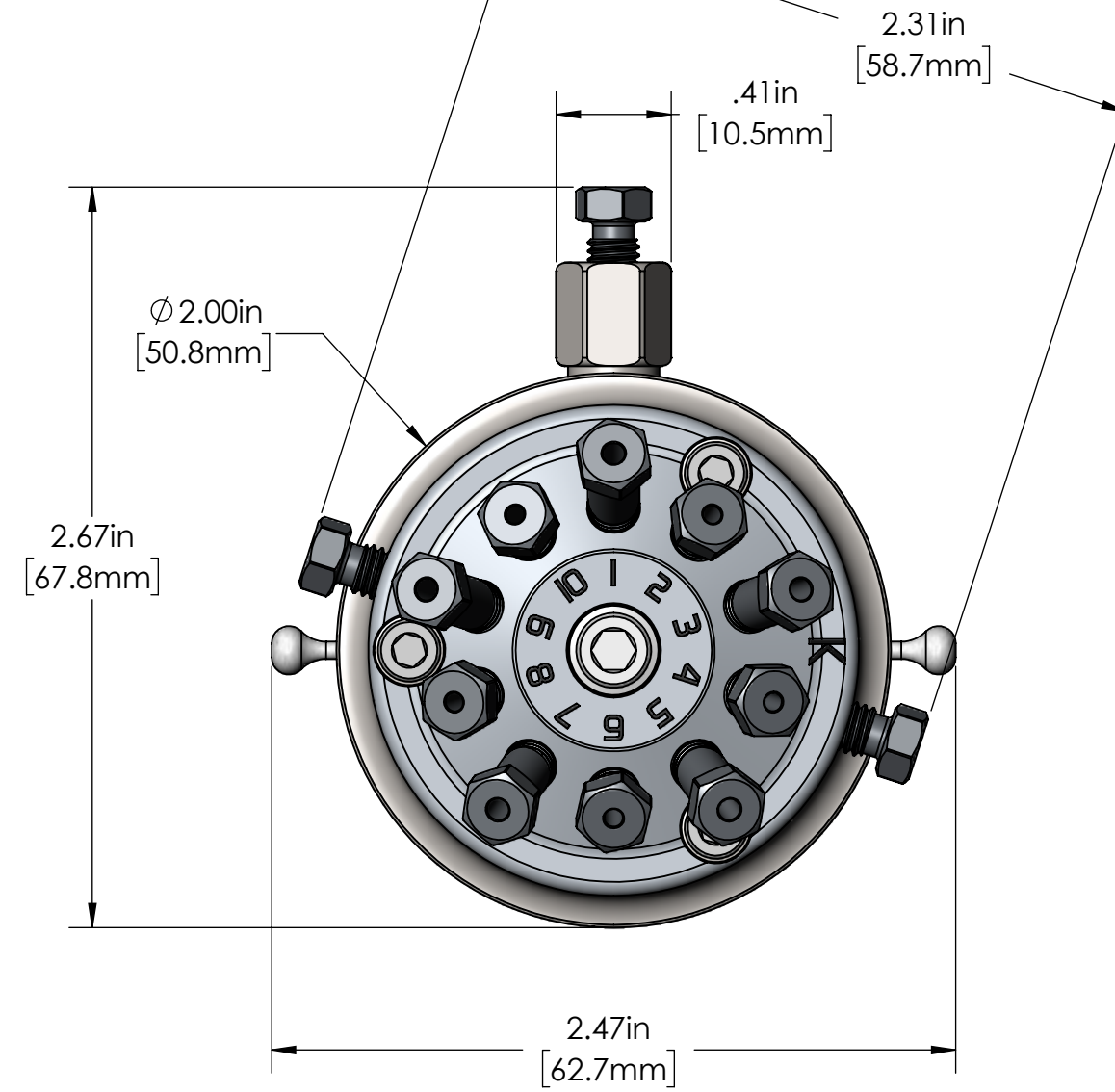




DATE	SYM	REVISION RECORD	ECO	DWN	ENG	MFG
2018-01-14	00	NEW RELEASE	0088	AC	AC	SL
2019-06-26	01	Update coating of the Head	0114	JS	EB	SL



SPECIFICATIONS:

VALVE P/N	MDVG2-10-16HT-0022
VALVE TYPE	PREMIUM GRADE, HIGH TEMPERATURE
NUMBER OF PORTS	10
PORT SIZE	0.030" [0.762mm]
PORT CONNECTION	1/16" [1.6mm]
MAX. WORKING PRESSURE	500 psig [3450 kPa]
MAX INITIAL LEAK RATE	6.1E-11 Atm-cc/s He
MAX INITIAL PRESSURE DROP	30 kPa @ 75 sccm N ₂ , 15 kPa max. between any sections
ACTUATOR TYPE	PNEUMATIC SINGLE ACTUATION (SPRING RETURN)
ACTUATION PRESSURE	65 psig [450 kPa]
GAS CONSUMPTION PER ACTUATION	0.07in ³ [1.15ml]
MAX. WORKING TEMPERATURE	482°F [250°C]
MATERIAL	STAINLESS STEEL BODY SS-316L VALVE HEAD - COATED AFPD-2 DIAPHRAGM TYPE

MATERIAL:	2659, boul. du Parc Technologique, Quebec, CANADA G1P 4S5				
	 Tel: 418-338-0004 Fax: 418-338-2500 Email: info@afproducts.ca Web: www.afproducts.ca				
FINISH:	DESCRIPTION: MDVG 10 HT Purged Premium				
 ACCORDANCE WITH LATEST ASME Y14.5		UNIT: IN	SIZE: C	DWG. NO.: MDVG-10-16HT-0022	REV.: 01
PROPRIETARY INFORMATION THIS DRAWING IS THE PROPERTY OF APN-AFP INC. IT IS RETURNABLE UPON REQUEST AND MUST NOT BE REPRODUCED OR THE INFORMATION CONTAINED HEREIN TRANSMITTED TO ANY UNAUTHORIZED PERSON OR ORGANIZATION WITHOUT THE WRITTEN CONSENT OF APN-AFP INC.		SCALE: 1.5:1	SHEET 1 OF 3		