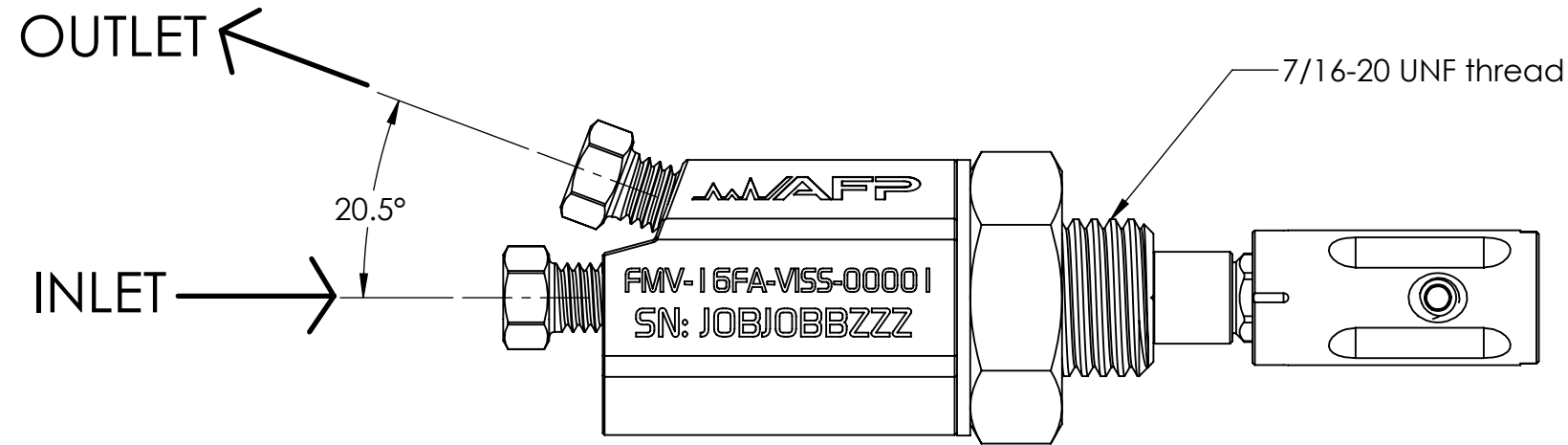
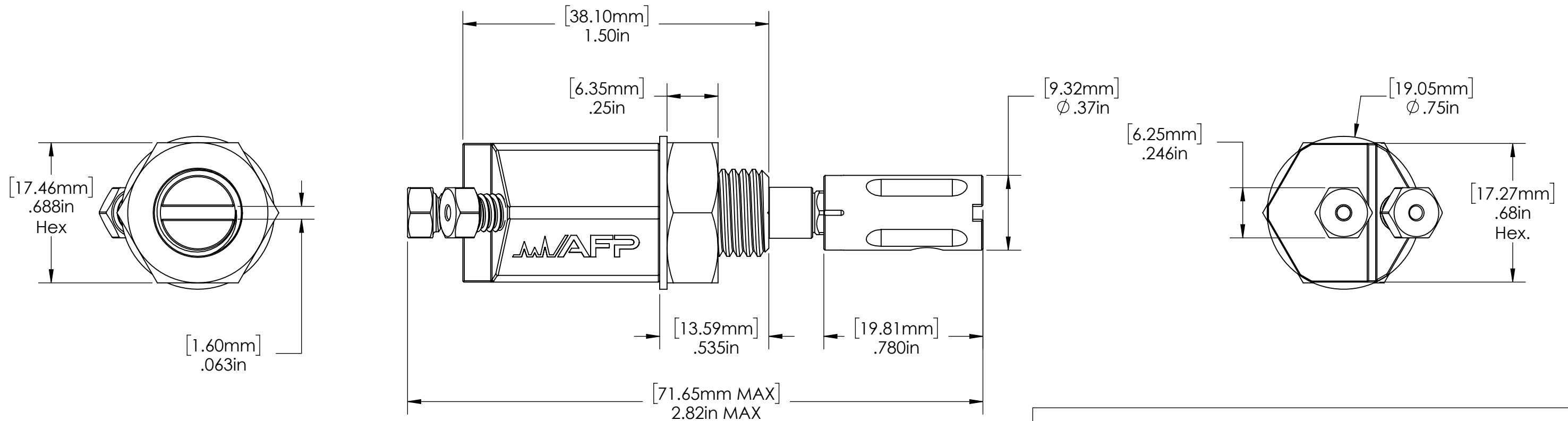
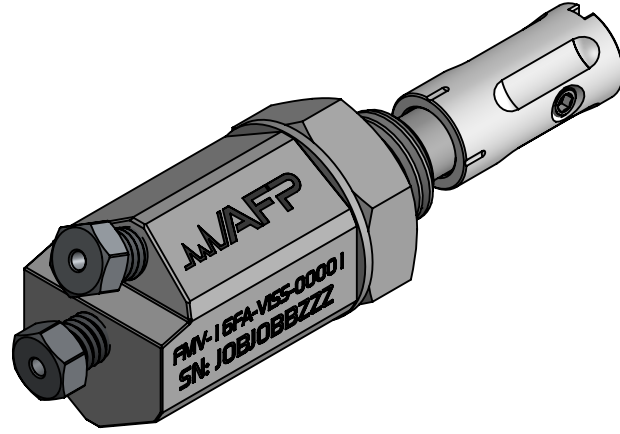




DATE	SYM	REVISION RECORD	ECO	DWN	ENG	MFG
2024-05-16	-	INITIAL RELEASE		EB	JS	SDR



SPECIFICATIONS:

VALVE P/N	FMV-16FA-VISS-00001
VALVE TYPE	Flow Metering Valve, fine adjustment
KNOB COLOR	Clear
NUMBER OF PORTS	2
PORT CONNECTION	1/16" [1.6 mm]
WORKING PRESSURE	0 - 100 PSI [689 kPa]
MAX. INITIAL LEAK RATE	10 ⁻⁸ Atm.cc/s He
FLOW RATE @ 15 Psi N ₂	2-175 sccm
MAX. WORKING TEMPERATURE	437°F [225°C]
MATERIAL	SS SERIES 300 VALVE HOUSING AND NEEDLE VITON O-RINGS



MATERIAL:	 2659, boul. du Parc Technologique Québec, CANADA G1P 4S5 Tel.: 418-338-0004 Fax.: 418-338-2500 Email: info@afproducts.ca Web: www.afproducts.ca			
				FINISH:
 ACCORDANCE WITH LATEST ASME Y14.5	DESCRIPTION: Flow Metering valve, 1/16" Fine adjustment, Clear knob			
PROPRIETARY INFORMATION THIS DRAWING IS THE PROPERTY OF APN-AFP INC. IT IS RETURNABLE UPON REQUEST AND MUST NOT BE REPRODUCED OR THE INFORMATION CONTAINED HEREIN TRANSMITTED TO ANY UNAUTHORIZED PERSON OR ORGANIZATION WITHOUT THE WRITTEN CONSENT OF APN-AFP INC.	UNIT IN	SIZE B	DWG. NO. FMV-16FA-VISS-00001	REV. -
SCALE		2:1		