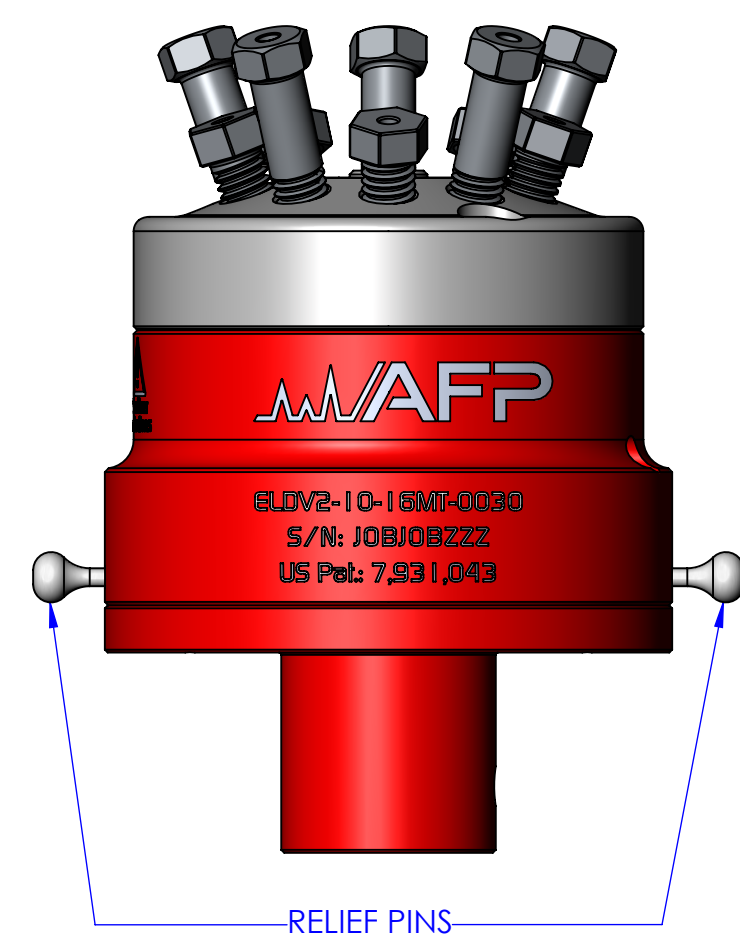
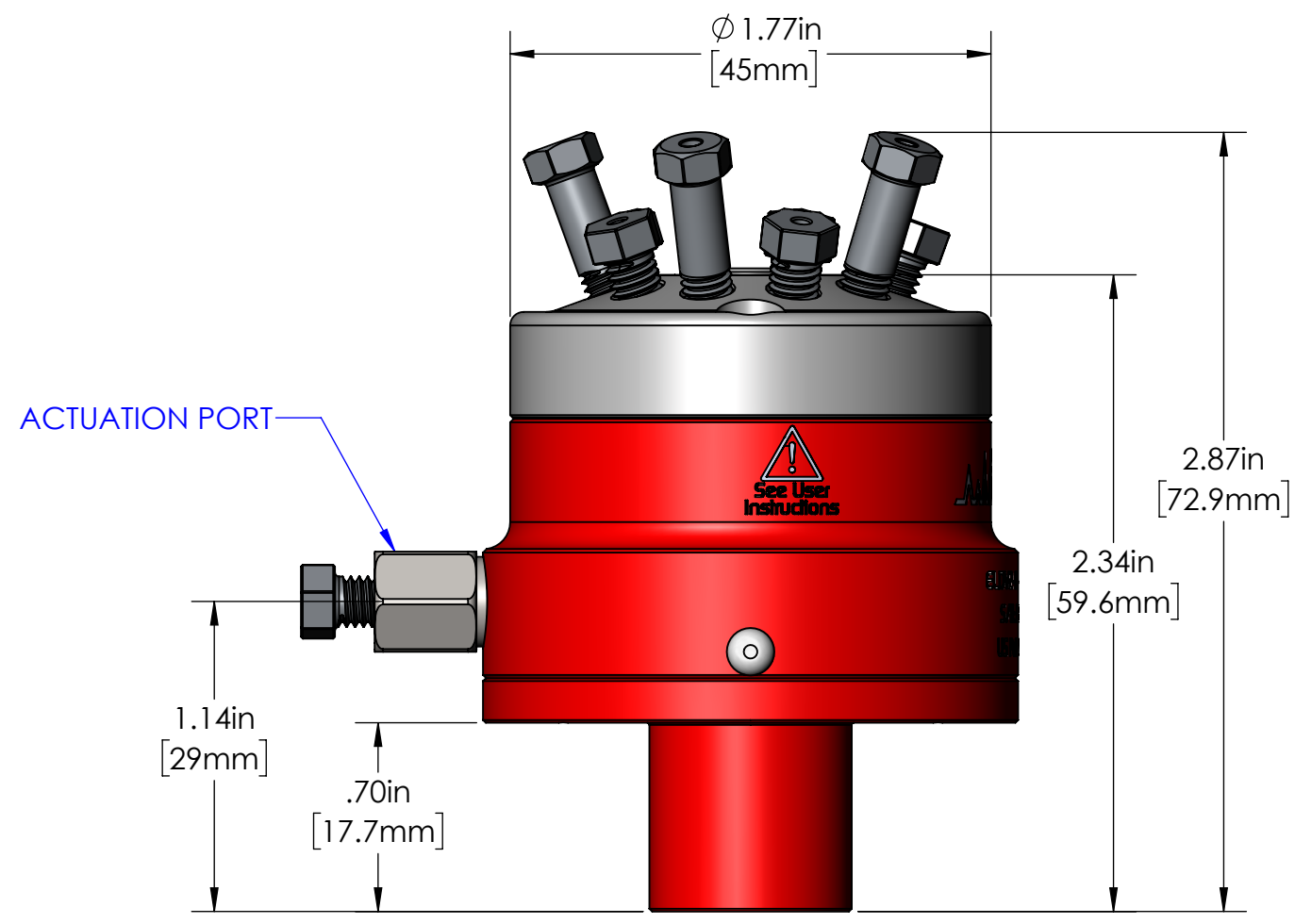
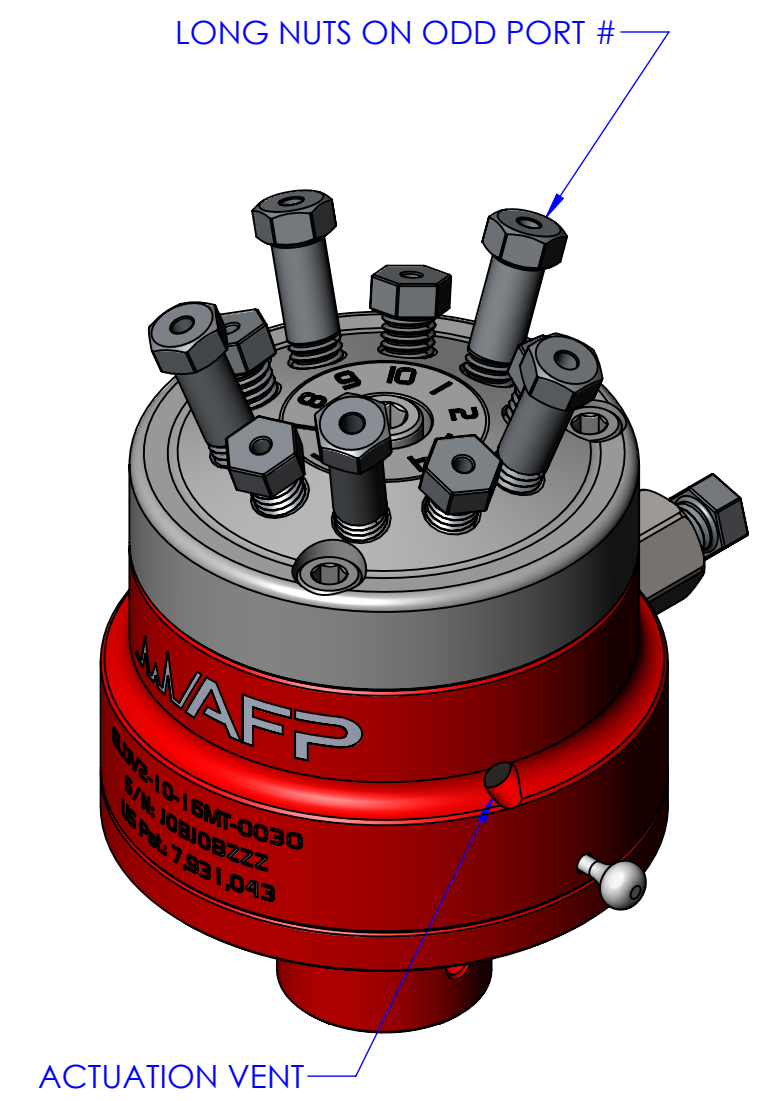
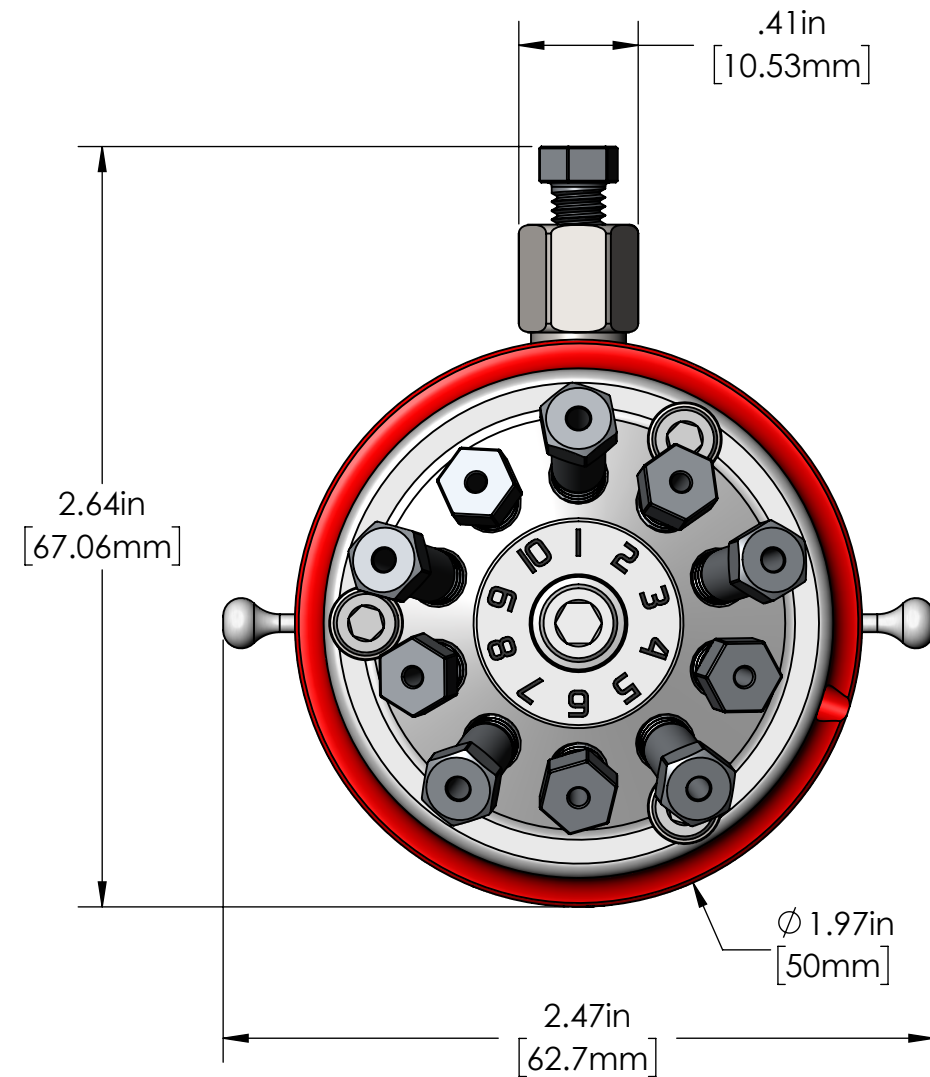


DATE	SYM	REVISION RECORD	ECO	DWN	ENG	MFG
2017-12-19	00	NEW RELEASE	0088	AC	AC	SL
2021-08-02	01	COMPONENT UPDATE	0107	JS	EB	SL



SPECIFICATIONS:

VALVE P/N	ELD2-10-16MT-0030
VALVE TYPE	HIGH PERFORMANCE GRADE, MEDIUM TEMPERATURE
NUMBER OF PORTS	10
PORT SIZE	0.030" [0.76 mm]
PORT CONNECTION	1/16" [1.6 mm]
MAX. WORKING PRESSURE	150 PSI [1034 kPa]
MAX. INITIAL LEAK RATE	10 ⁻⁶ Atm.cc/s He
MAX. INITIAL PRESSURE DROP	15 kPa @ 75 sccm N ₂
ACTUATOR TYPE	PNEUMATIC SINGLE ACTUATION (SPRING RETURN)
ACTUATION PRESSURE	65 PSI [450 kPa]
GAS CONSUMTION PER ACTUATION	0.07 in ³ [1.15 ml]
MAX. WORKING TEMPERATURE	356°F [180°C]
MATERIAL	ALUMINUM BODY SS-316L VALVE HEAD AFPD-2 DIAPHRAGM TYPE

PROPRIETARY INFORMATION THIS DRAWING IS THE PROPERTY OF APN-AFP INC.	MATERIAL:	2659, boul. du Parc Technologique, Quebec, Quebec, CANADA G1P 4S5 Tel: 418-338-0004 Email: info@alproducts.ca Web: www.alproducts.ca
	FINISH:	
DESCRIPTION: MINI DIAPHRAGM VALVE 10 PORTS (NO PURGE, MEDIUM TEMPERATURE)		UNIT: IN SIZE: C DWG. NO.: ELD2-10-16MT-0030 REV.: 01
SCALE: 1.5:1		SHEET 1 OF 4