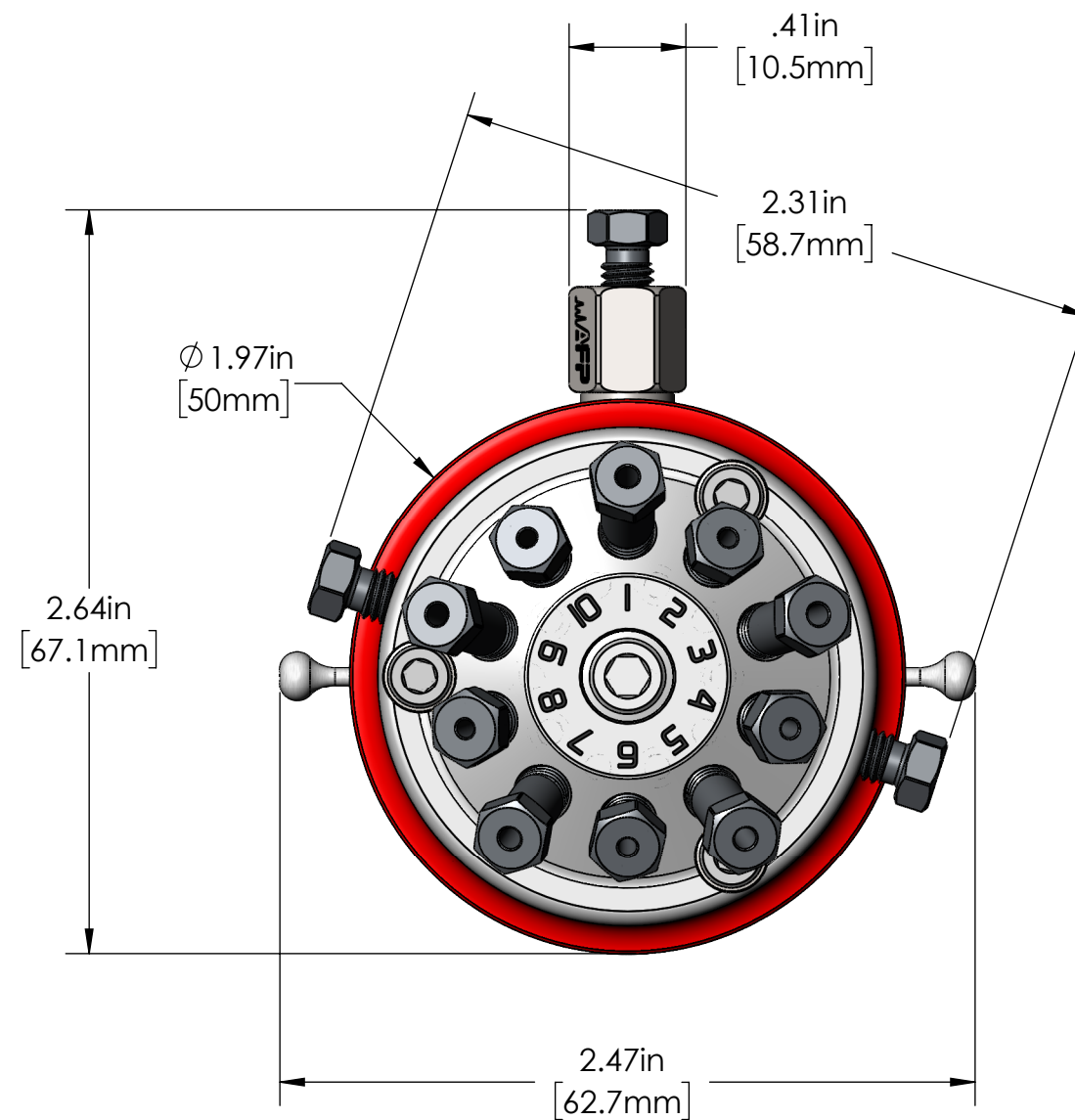
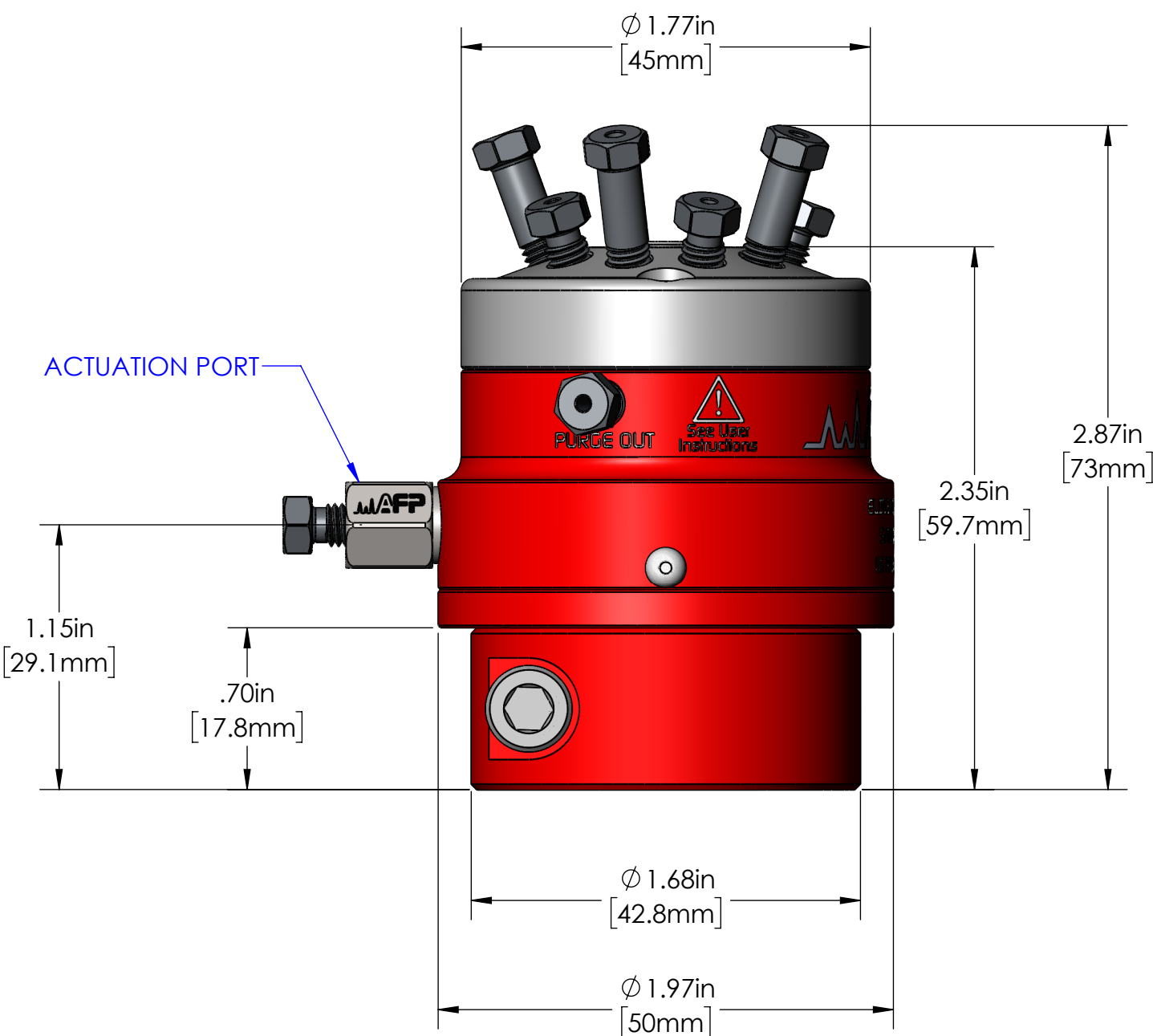
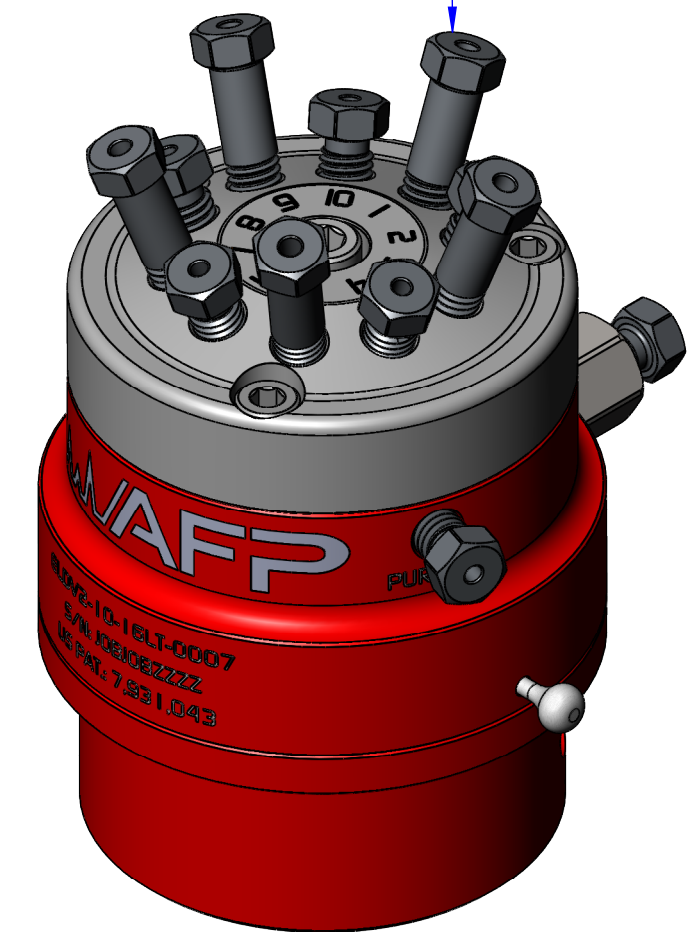


DATE	SYM	REVISION RECORD	ECO	DWN	ENG	MFG
2018-07-13	00	INITIAL RELEASE	0088	AC	AC	SL

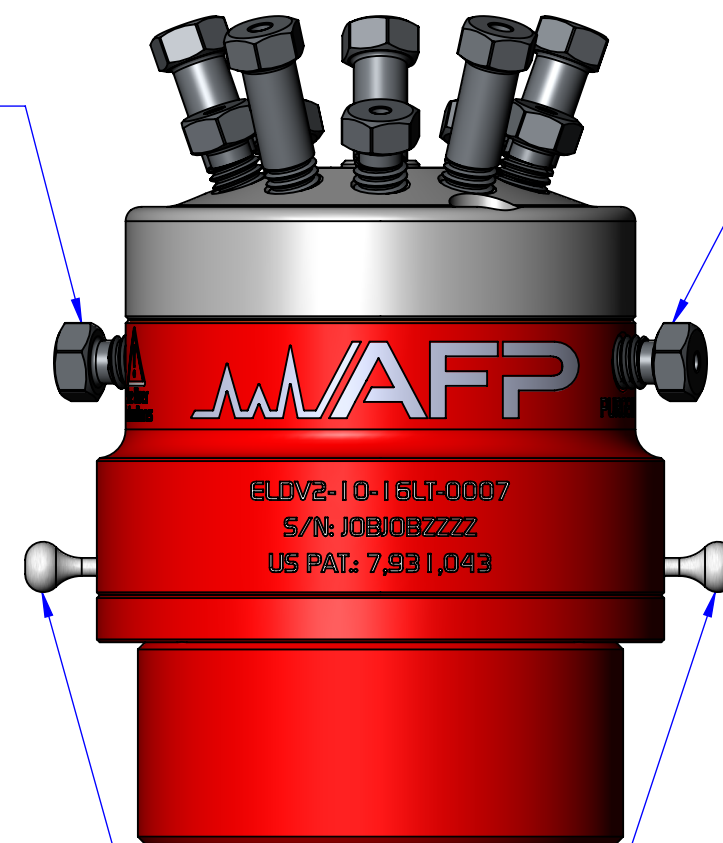


LONG NUTS ON ODD PORT #



PURGE OUT


PURGE IN



RELIEF PINS

SPECIFICATIONS:

VALVE P/N	ELDV2-10-16LT-0007
VALVE TYPE	HIGH PERFORMANCE GRADE, LOW TEMPERATURE
NUMBER OF PORTS	10
PORT SIZE	0.030" [0.76 mm]
PORT CONNECTION	1/16" [1.6 mm]
MAX. WORKING PRESSURE	300 PSI [2068 kPa]
MAX. INITIAL LEAK RATE	3.7E-10 Atm-cc/s He
MAX. INITIAL PRESSURE DROP	10 kPa @ 75 sccm N ₂ , 3 kPa max. between any sections
ACTUATOR TYPE	PNEUMATIC SINGLE ACTUATION (SPRING RETURN)
ACTUATION PRESSURE	65 PSI [450 kPa]
GAS CONSUMPTION PER ACTUATION	0.07 in ³ [1.15 ml]
MAX. WORKING TEMPERATURE	212°F [100°C]
MATERIAL	ALUMINUM BODY SS-316L VALVE HEAD AFPD-1 DIAPHRAGM TYPE

MATERIAL:	FINISH:	 <p>2659, boul. du Parc Technologique, Quebec, Quebec, CANADA G1P 4S5</p> <p>Tel: 418-338-0004 Fax: 418-338-2500 Email: info@alproducts.ca Web: www.alproducts.ca</p>	
			<p>DESCRIPTION: MINI DIAPHRAGM VALVE GROOVED 10 PORTS (LOW TEMPERATURE)</p>
<p>PROPRIETARY INFORMATION THIS DRAWING IS THE PROPERTY OF APN-AFP INC. IT IS RETURNABLE UPON REQUEST AND MUST NOT BE REPRODUCED OR THE INFORMATION CONTAINED HEREIN TRANSMITTED TO ANY UNAUTHORIZED PERSON OR ORGANIZATION WITHOUT THE WRITTEN CONSENT OF APN-AFP INC.</p>		<p>UNIT: IN</p> <p>SIZE: C</p> <p>DWG. NO.: ELDV2-10-16LT-0007</p> <p>SCALE: 1.5:1</p>	<p>REV. 00</p> <p>SHEET 1 OF 3</p>