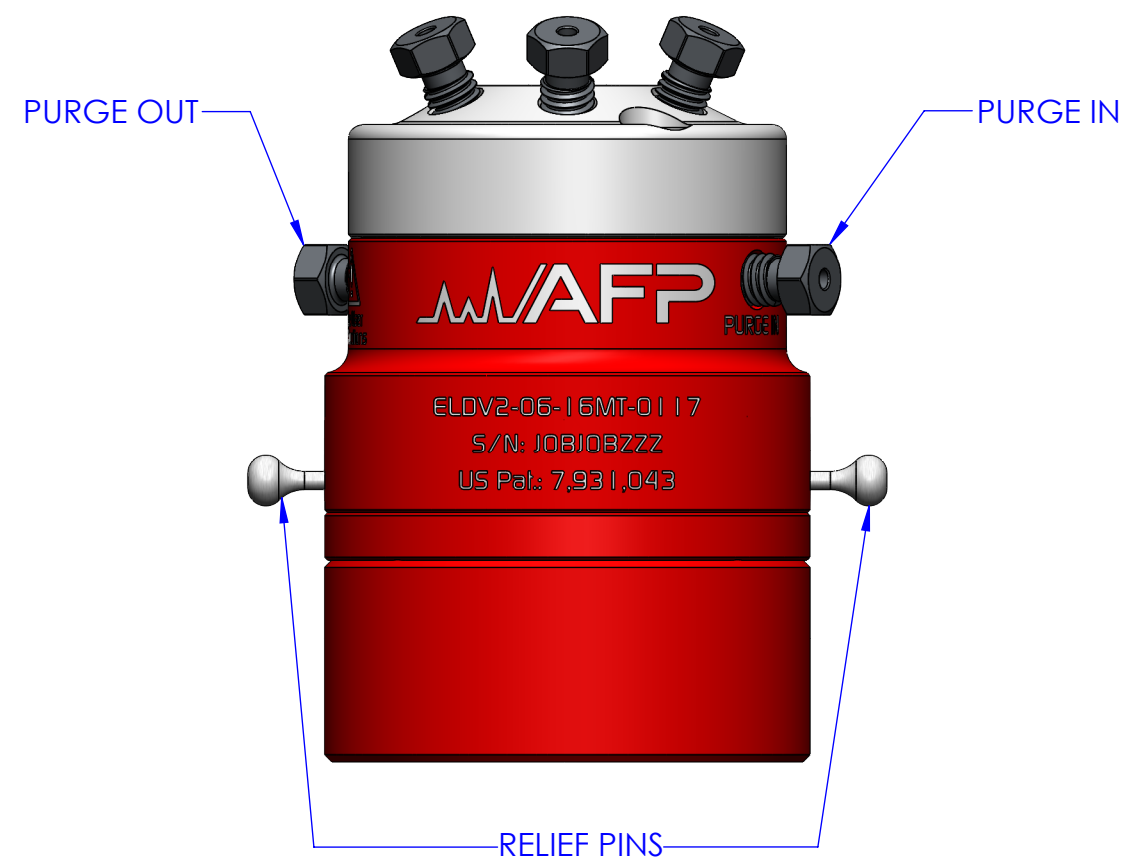
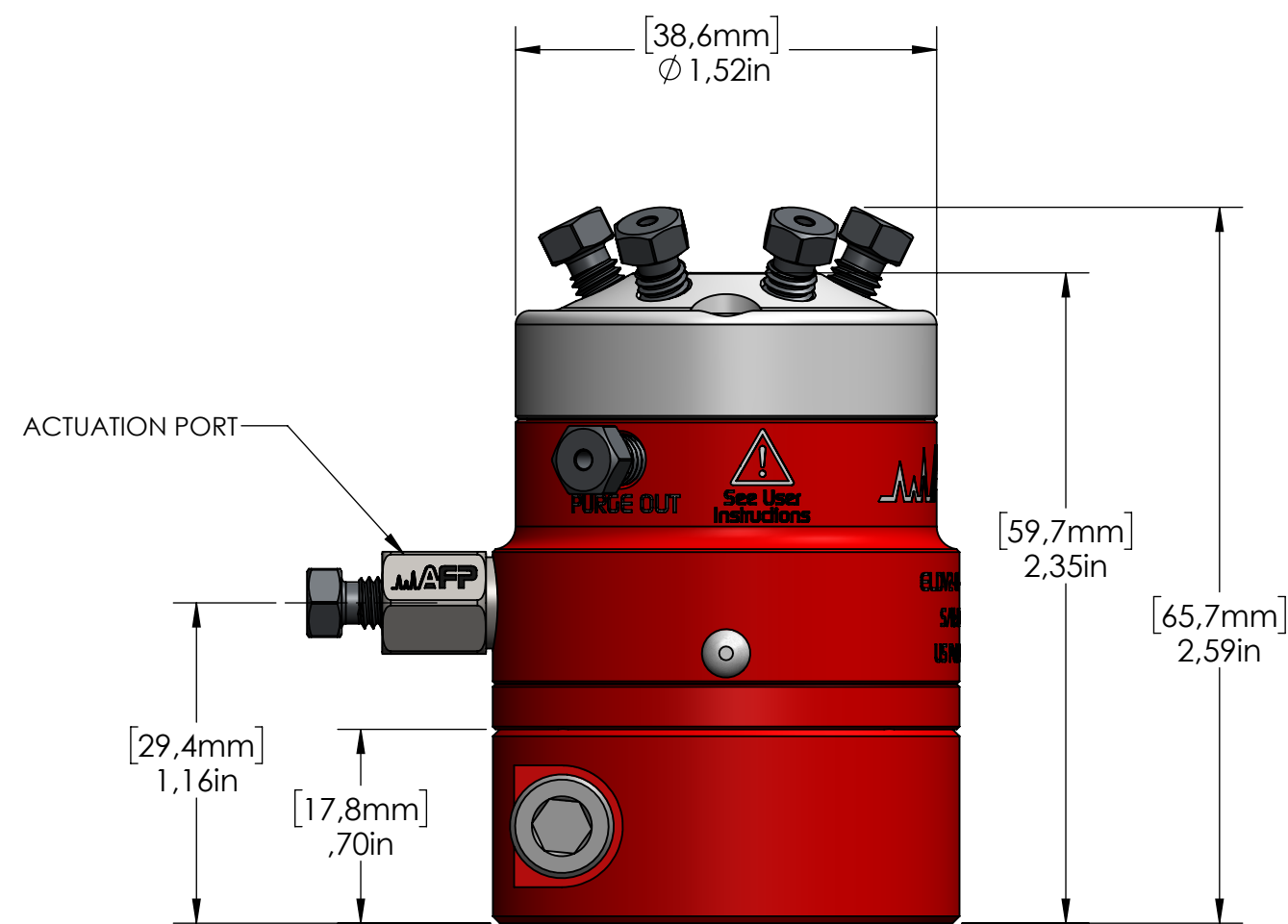
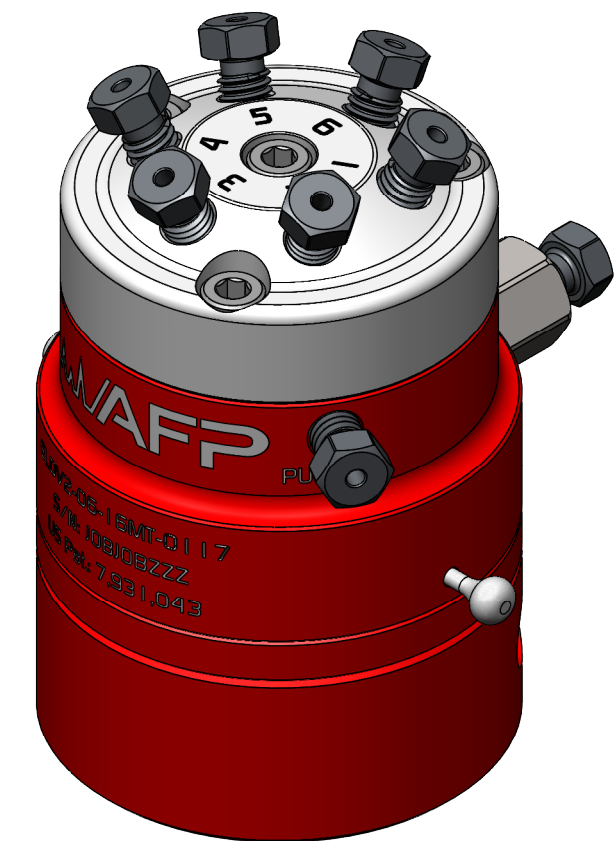
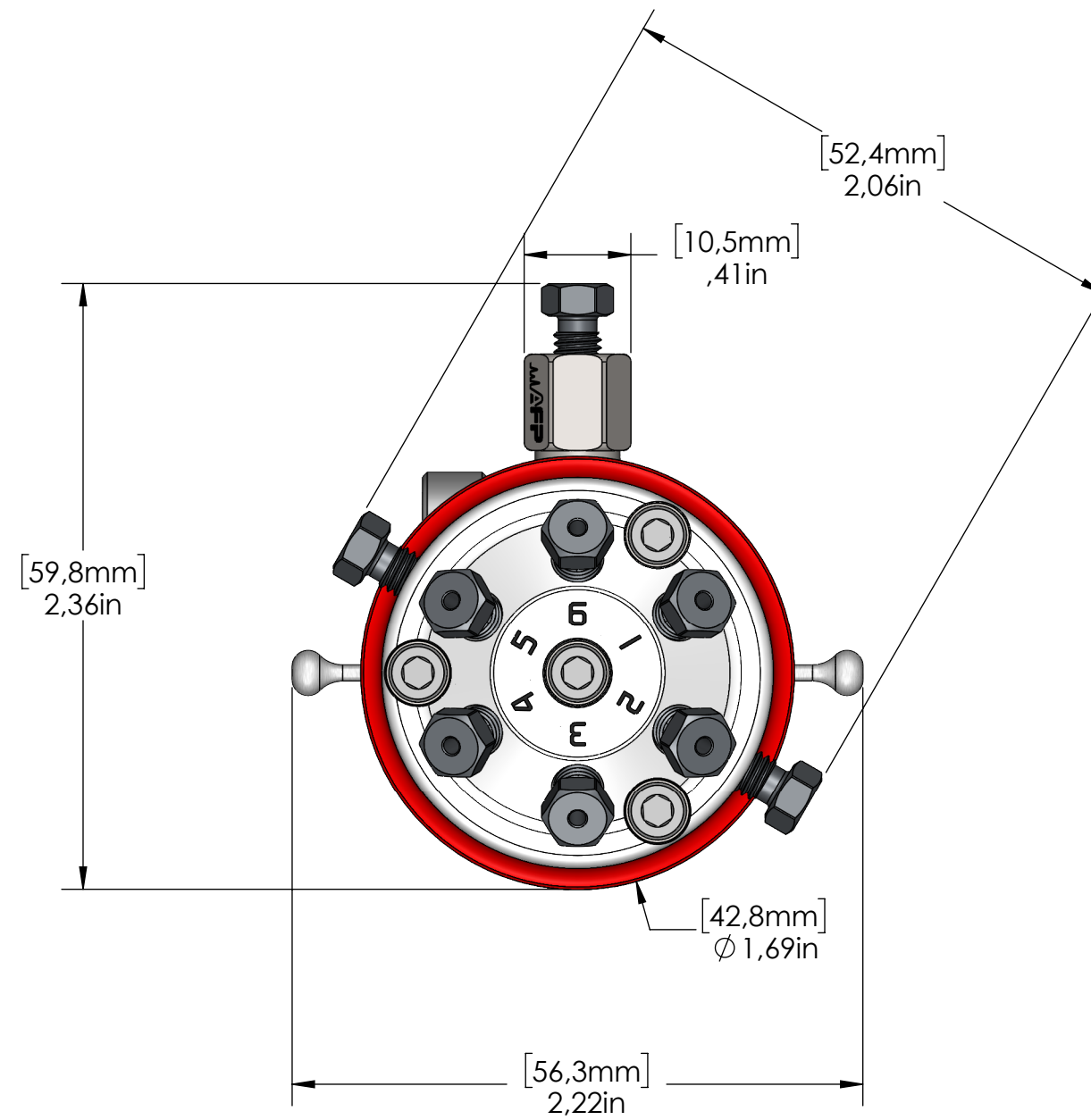




DATE	SYM	REVISION RECORD	ECO	DWN	ENG	MFG
2019-02-16	00	INITIAL RELEASE	0107	AC	AC	SL



SPECIFICATIONS:

VALVE P/N	ELD V2-06-16MT-0117
VALVE TYPE	HIGH PERFORMANCE GRADE, MEDIUM TEMPERATURE
NUMBER OF PORTS	6
PORT SIZE	0.030" [0.76 mm]
PORT CONNECTION	1/16" [1.6 mm]
MAX. WORKING PRESSURE	100 psig [690 kPa]
MAX. INITIAL LEAK	3.2E-9 Atm-cc/s He
MAX. INITIAL PRESSURE DROP	30 kPa @ 75 sccm N ₂ , 15kPa max. between any sections
ACTUATOR TYPE	PNEUMATIC SINGLE ACTUATION (SPRING RETURN)
ACTUATION PRESSURE	60 psig [415 kPa]
GAS CONSUMPTION PER ACTUATION	0.05 in ³ [0.82 ml]
MAX. WORKING TEMPERATURE	356°F [180°C]
MATERIAL	ALUMINUM BODY SS-316L VALVE HEAD AFPD-2 DIAPHRAGM TYPE

MATERIAL: -	2659, boul. du Parc Technologique, Quebec, Quebec, CANADA G1P 4S5			
	 Tel.: 418-338-0004 Fax: 418-338-2500 Email: info@afproducts.ca Web: www.afproducts.ca			
FINISH: -	DESCRIPTION: 1/16 MT 60psiAct 100psiProc			
 ACCORDANCE WITH LATEST ASME Y14.5	UNIT	SIZE	DWG. NO.	REV.
	IN	C	ELD V2-06-16MT-0117	00
SCALE 1,5:1		SHEET 1 OF 3		

PROPRIETARY INFORMATION
THIS DRAWING IS THE PROPERTY OF APN-AFP INC.
IT IS RETURNABLE UPON REQUEST AND MUST NOT BE REPRODUCED
OR THE INFORMATION CONTAINED HEREIN TRANSMITTED TO ANY
UNAUTHORIZED PERSON OR ORGANIZATION WITHOUT THE
WRITTEN CONSENT OF APN-AFP INC.