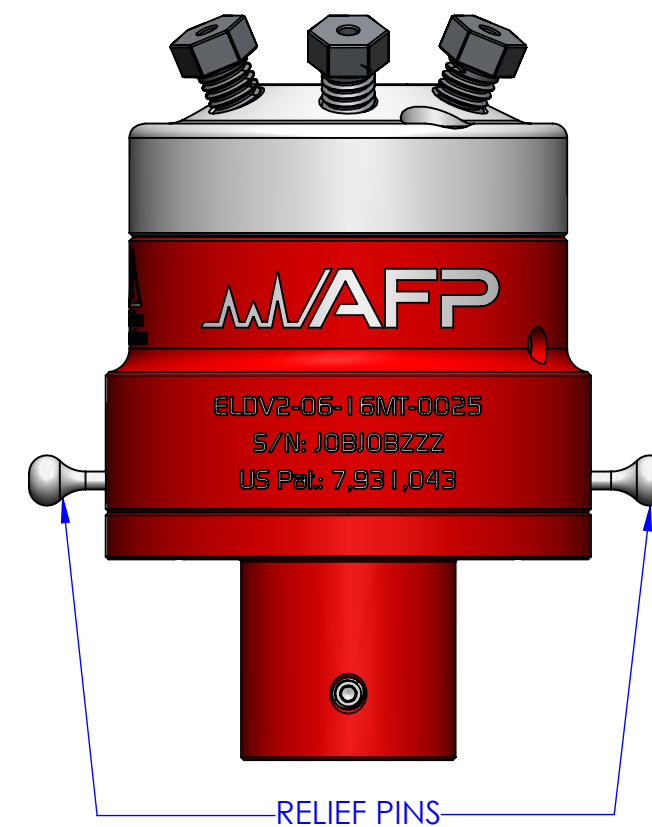
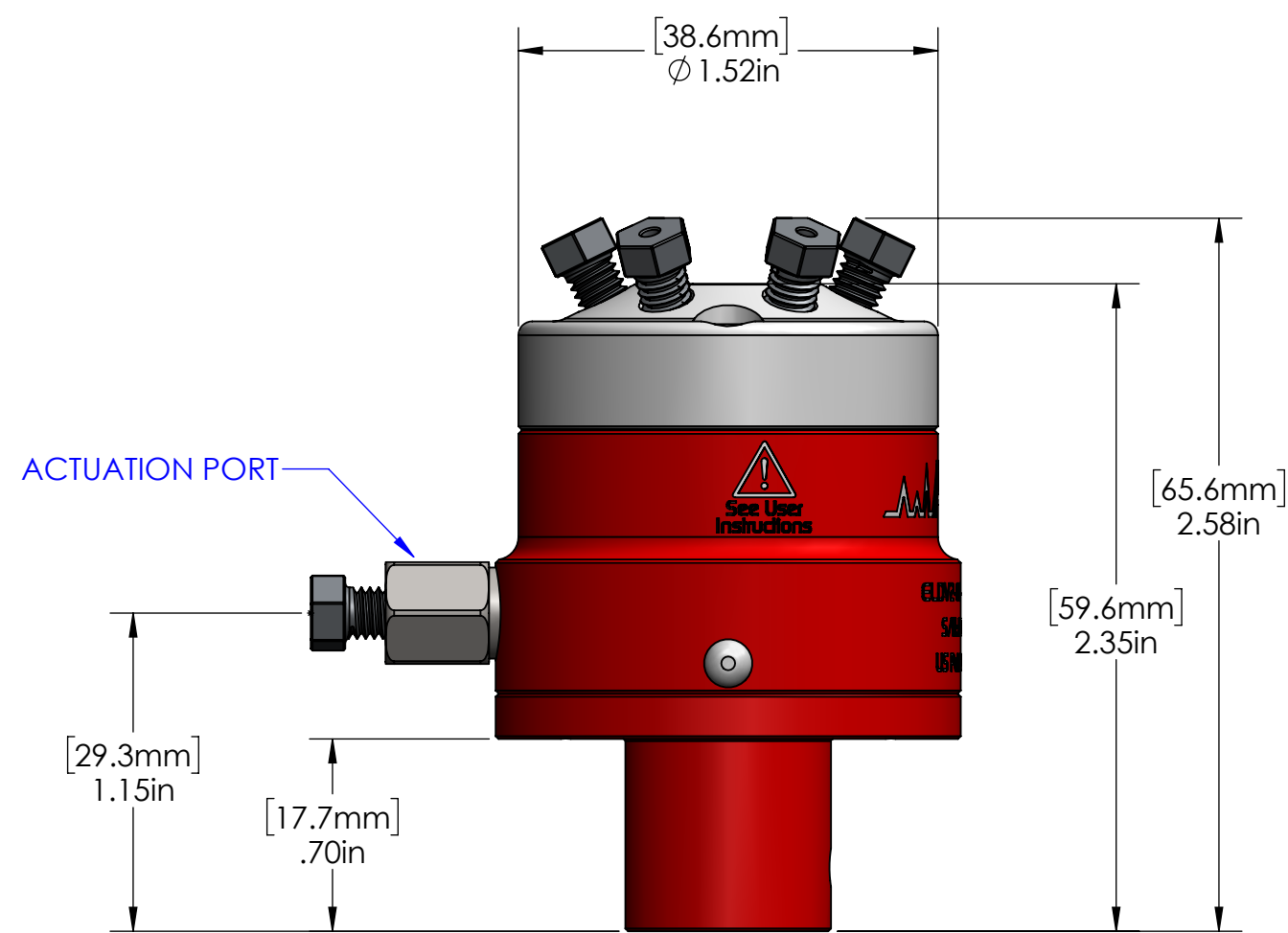
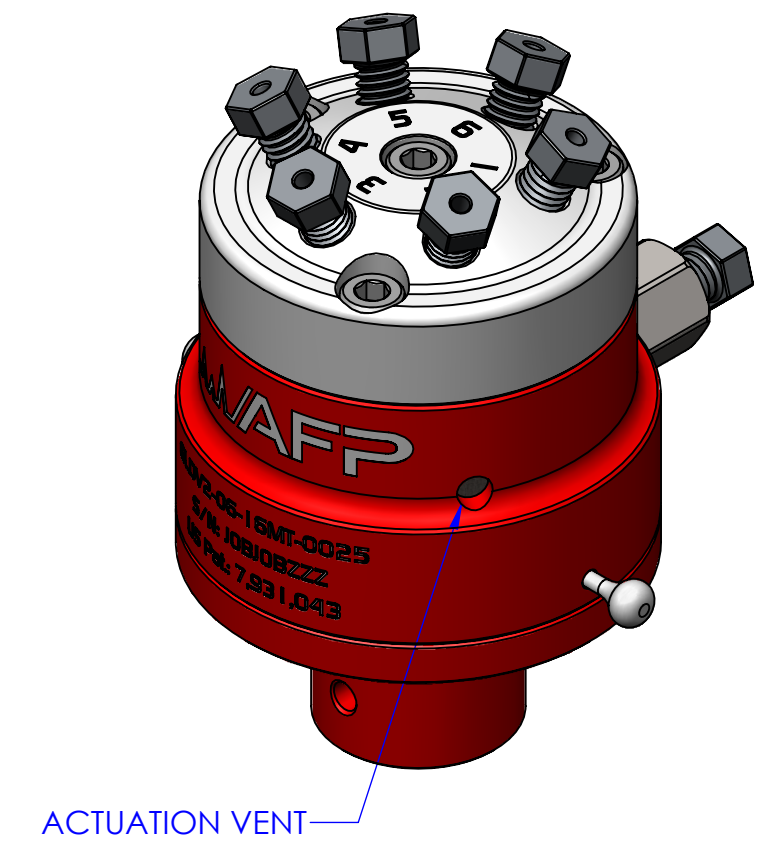
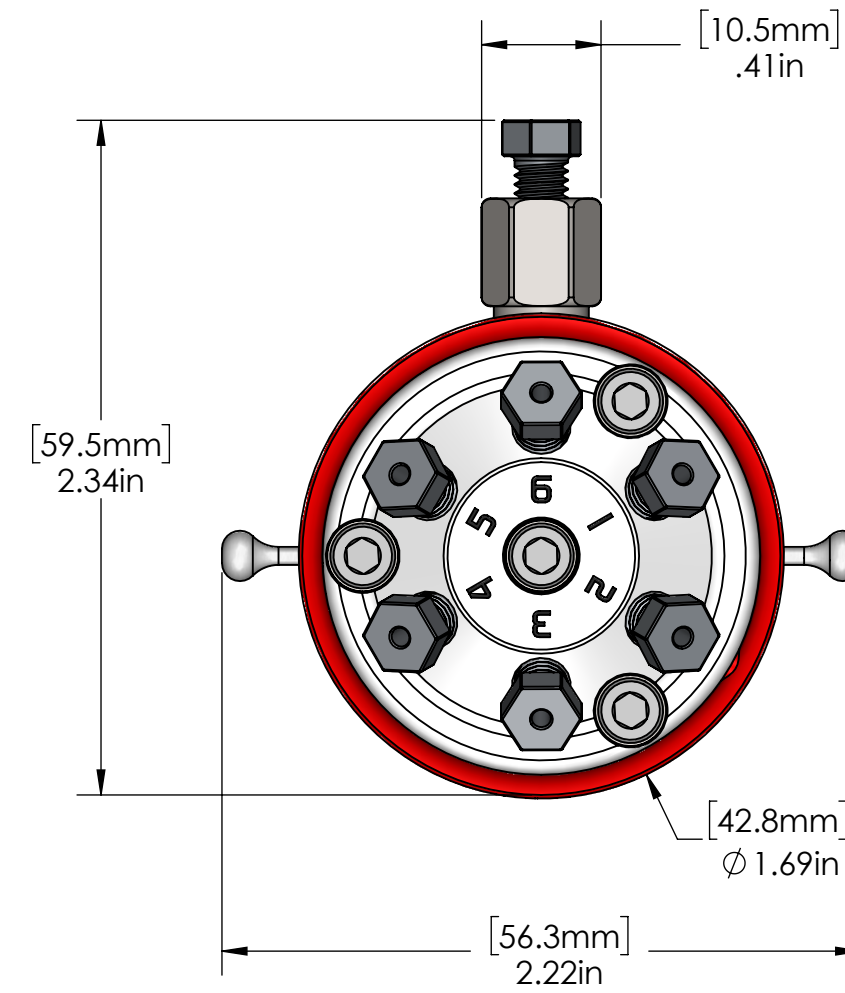



DATE	SYM	REVISION RECORD	ECO	DWN	ENG	MFG
07/11/2017	00	NEW RELEASE	0088	DB	AC	SL
02/08/2021	01	COMPONENT UPDATE	0107	JS	EB	SL



SPECIFICATIONS:

VALVE P/N	-----ELD2-06-16MT-0025
VALVE TYPE	-----HIGH PERFORMANCE GRADE, MEDIUM TEMPERATURE
NUMBER OF PORTS	-----6
PORT SIZE	-----0.030" [0.76 mm]
PORT CONNECTION	-----1/16" [1.6 mm]
MAX. WORKING PRESSURE	-----150 PSI [1034 kPa]
MAX. INITIAL LEAK RATE	-----10 ⁻⁶ Atm.cc/s He
MAX. INITIAL PRESSURE DROP	-----15 kPa @ 75 sccm N ₂
ACTUATOR TYPE	-----PNEUMATIC SINGLE ACTUATION (SPRING RETURN)
ACTUATION PRESSURE	-----65 PSI [450kPa]
GAS CONSUMPTION PER ACTUATION	-----0.05 in ³ [0.82 ml]
MAX. WORKING TEMPERATURE	-----356°F [180°C]
MATERIAL	-----ALUMINUM BODY SS-316L VALVE HEAD AFPD-2 DIAPHRAGM TYPE

MATERIAL:	2659, boul. du Parc Technologique, Quebec, Quebec, CANADA G1P 4S5				
	 Tel: 418-338-0004 Email: info@alproducts.ca Web: www.alproducts.ca				
FINISH:	DESCRIPTION: MINI DIAPHRAGM VALVE 6 PORTS (MEDIUM TEMPERATURE, NO PURGE)				
PROPRIETARY INFORMATION THIS DRAWING IS THE PROPERTY OF APN-AFP INC.		UNIT IN	SIZE C	DWG. NO. ELD2-06-16MT-0025	REV. 01
SCALE		1.5:1	SHEET 1 OF 4		