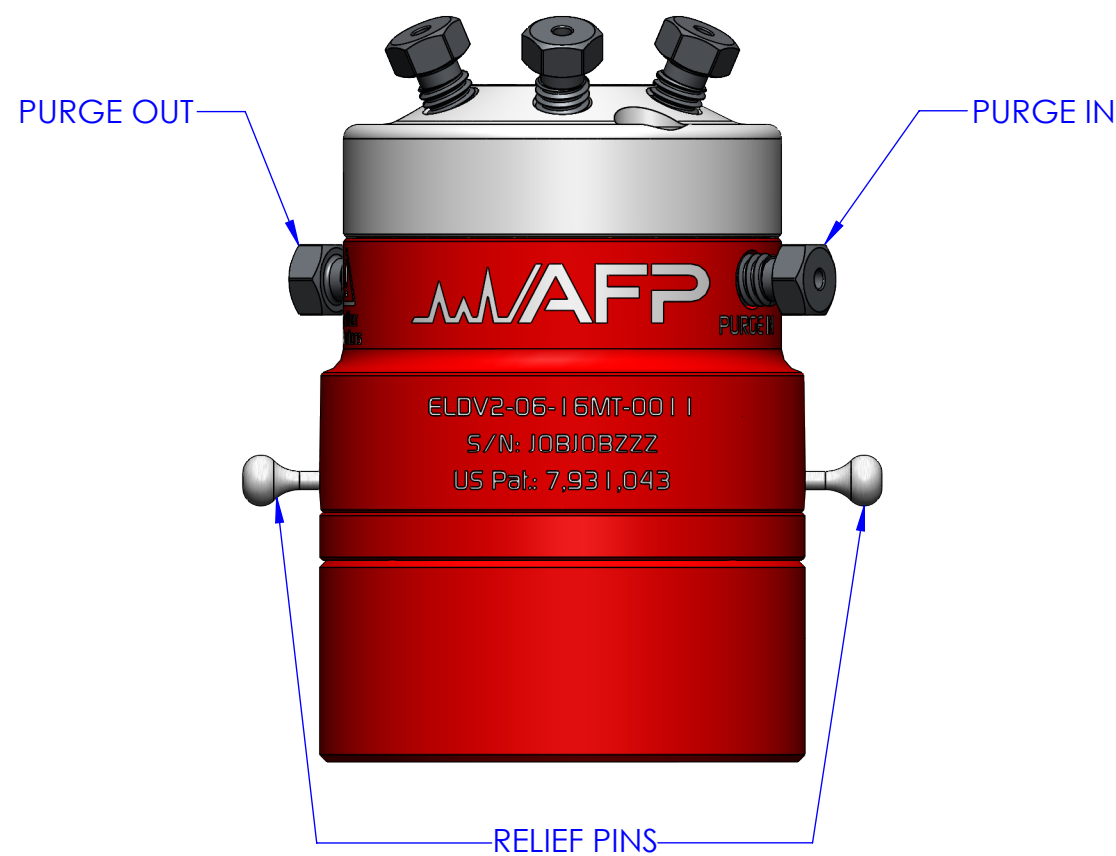
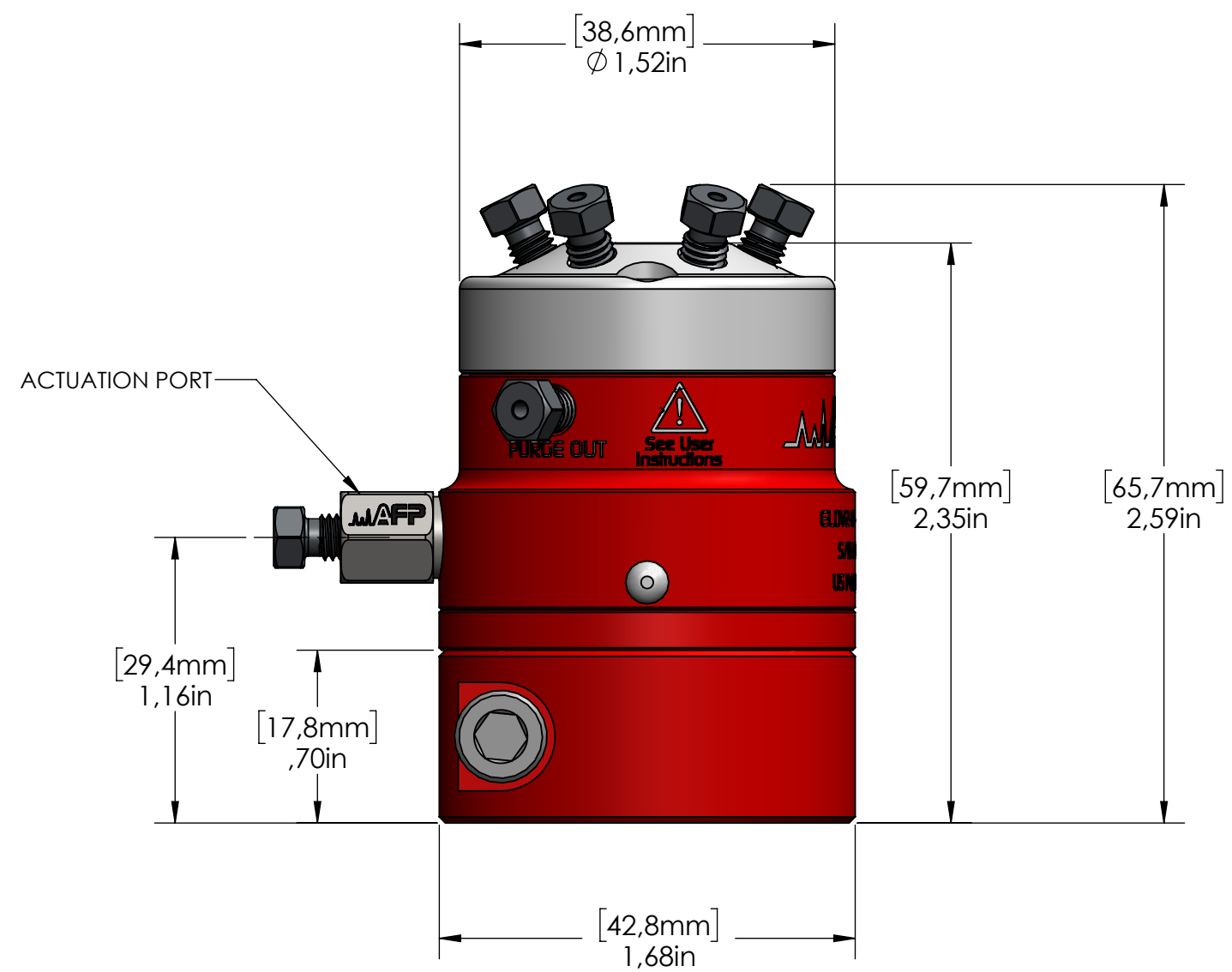
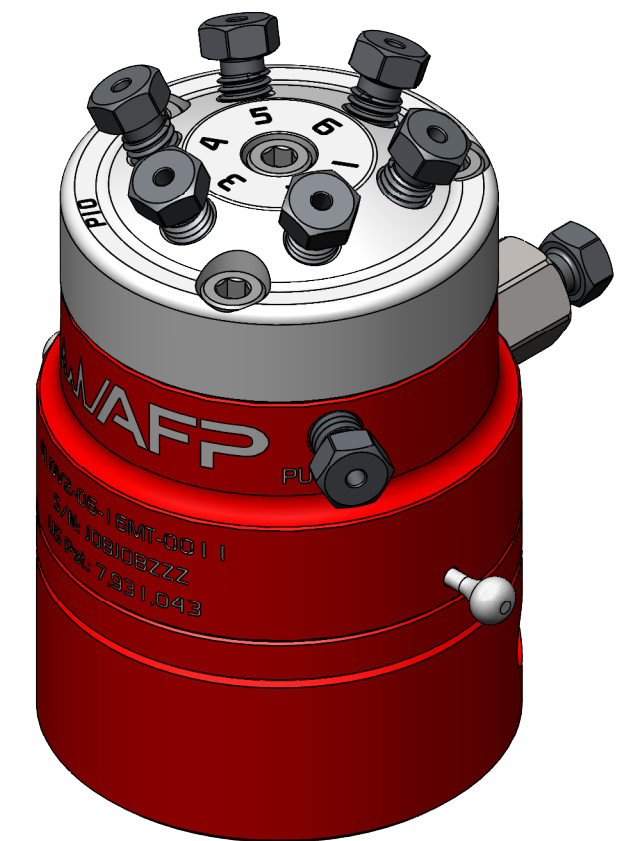
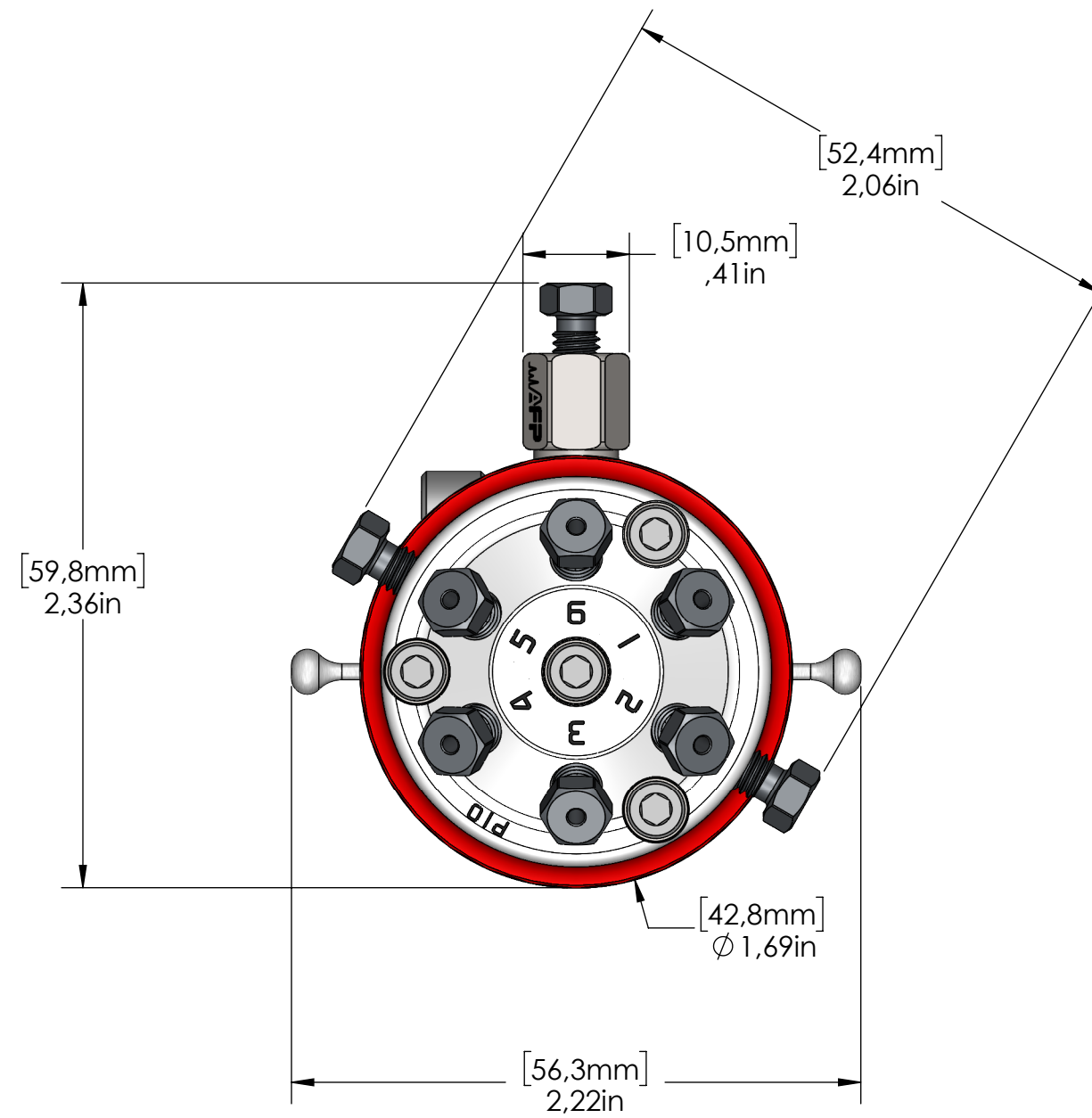




DATE	SYM	REVISION RECORD	ECO	DWN	ENG	MFG
2017-11-29	00	NEW RELEASE	0088	AC	AC	SL
2019-04-28	01	COMPONENT UPDATE	0107	AC	AC	SL



**SPECIFICATIONS:**

VALVE P/N	ELDV2-06-16MT-0011
VALVE TYPE	HIGH PERFORMANCE GRADE, MEDIUM TEMPERATURE
NUMBER OF PORTS	6
PORT SIZE	0.010" [0.25mm]
PORT CONNECTION	1/16" [1.6mm]
MAX. WORKING PRESSURE	150 psig [1035 kPa]
MAX. INITIAL LEAK RATE	1.5E-9 Atm-cc/s He
MAX. INITIAL PRESSURE DROP	30 kPa @ 75 sccm, delta max. 15 kPa between any section
ACTUATOR TYPE	PNEUMATIC SINGLE ACTUATION (SPRING RETURN)
ACTUATION PRESSURE	50 psig [345kPa]
GAS CONSUMPTION PER ACTUATION	0.05in <sup>3</sup> [0.82ml]
MAX. WORKING TEMPERATURE	356°F [180°C]
MATERIAL	ALUMINUM BODY SS-316L VALVE HEAD AFPD-2 DIAPHRAGM TYPE

MATERIAL:	-	 2659, boul. du Parc Technologique, Québec, Québec, CANADA G1P 4S5 Tel: 418-338-0004 Fax: 418-338-2500 Email: info@alproducts.ca Web: www.alproducts.ca		
	FINISH:		-	
 ACCORDANCE WITH LATEST ASME Y14.5		DESCRIPTION: 50PSI ACT 150PSI PROCESS .010"		
PROPRIETARY INFORMATION THIS DRAWING IS THE PROPERTY OF APN-AFP INC. IT IS RETURNABLE UPON REQUEST AND MUST NOT BE REPRODUCED OR THE INFORMATION CONTAINED HEREIN TRANSMITTED TO ANY UNAUTHORIZED PERSON OR ORGANIZATION WITHOUT THE WRITTEN CONSENT OF APN-AFP INC.	UNIT <b>IN</b>	SIZE <b>C</b>	DWG. NO. ELDV2-06-16MT-0011	REV. 01
SCALE 1,5:1		SHEET 1 OF 3		