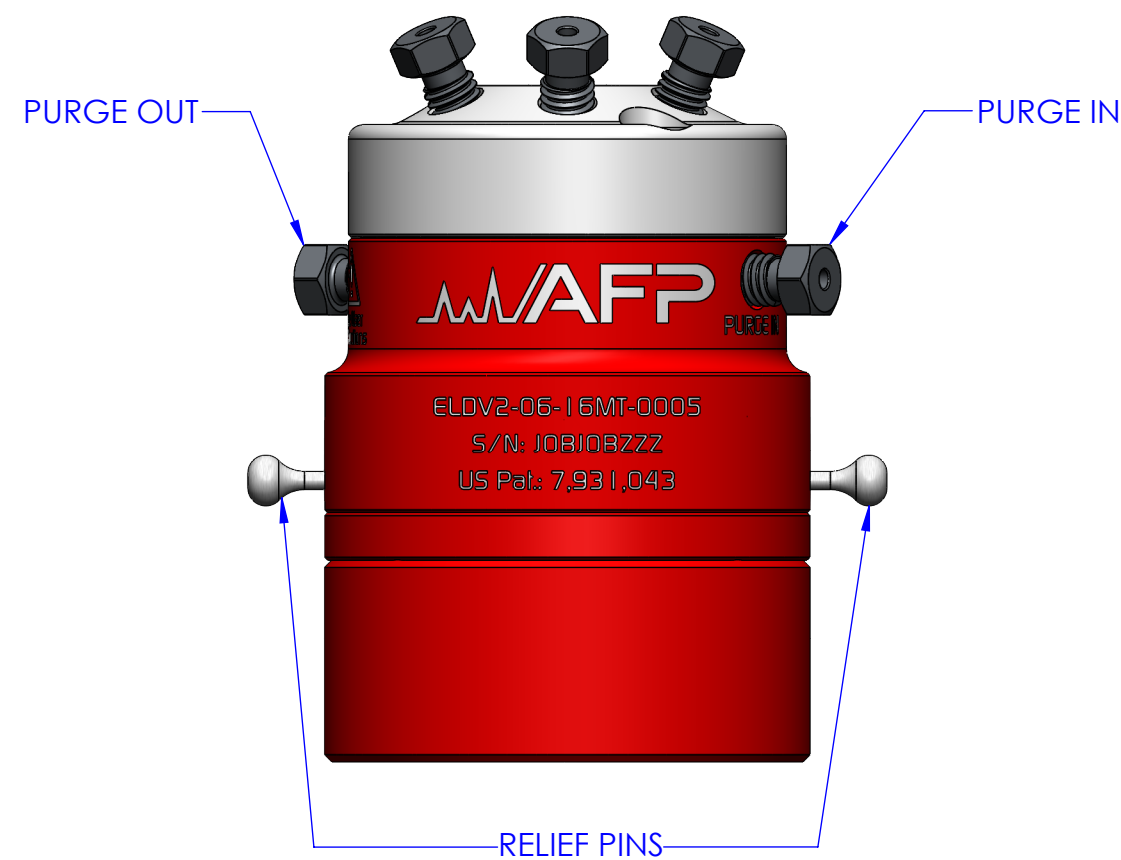
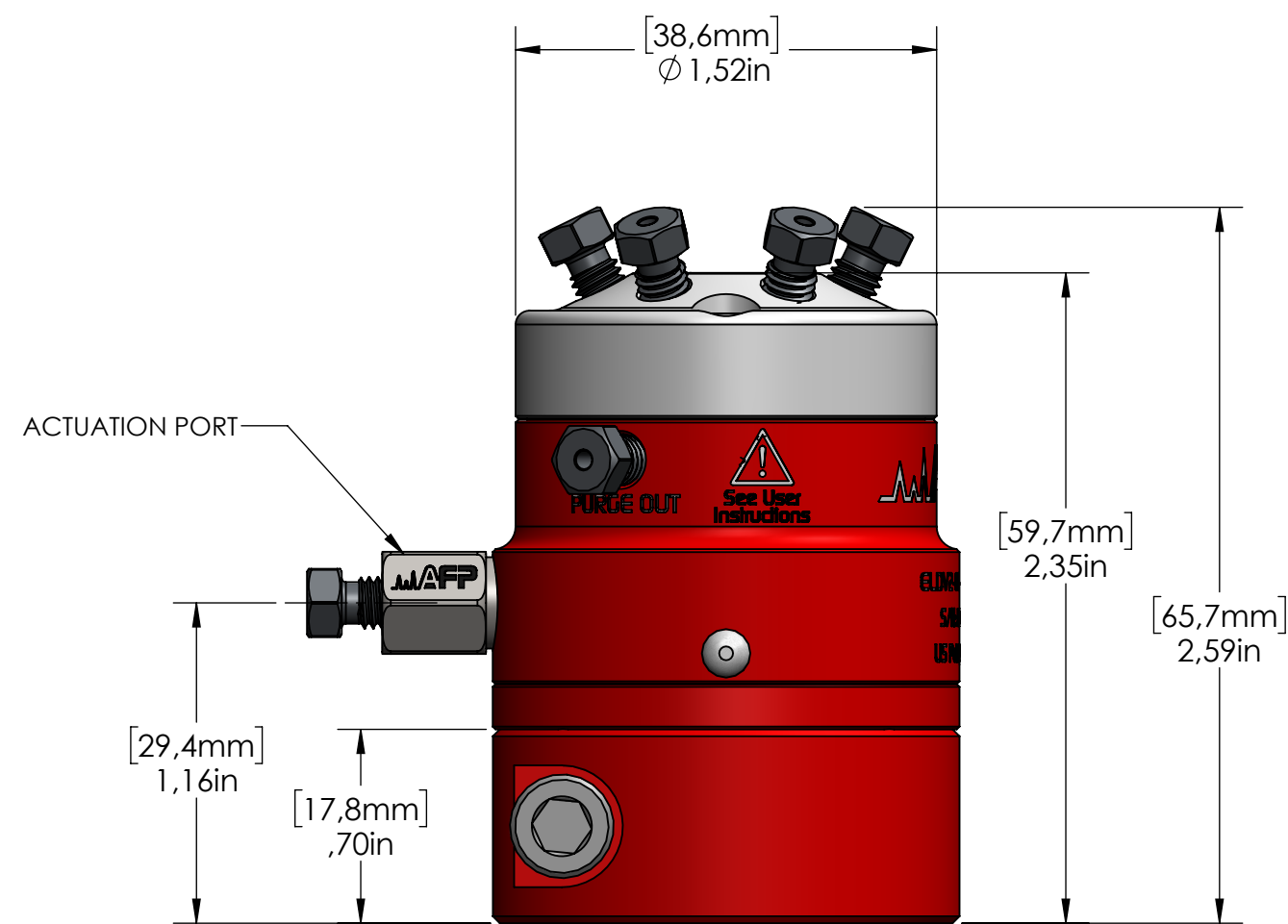
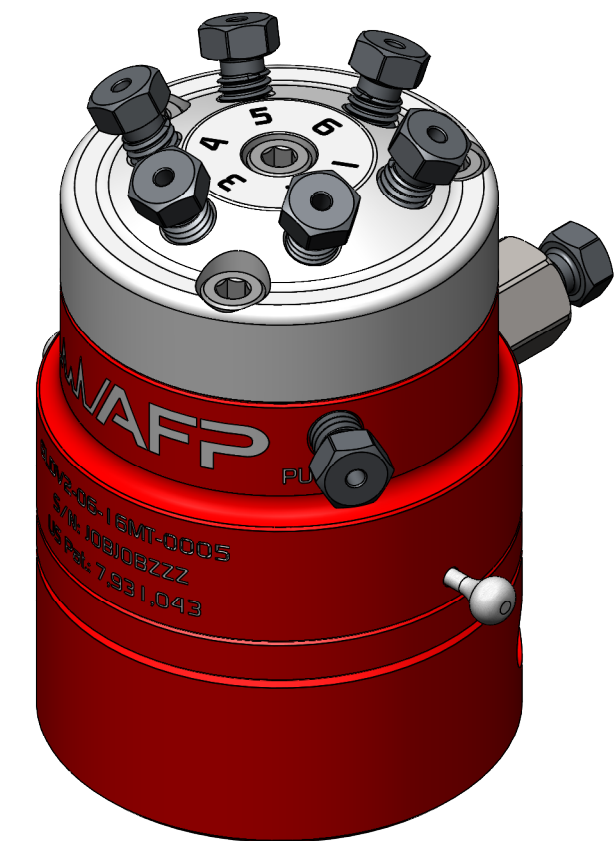
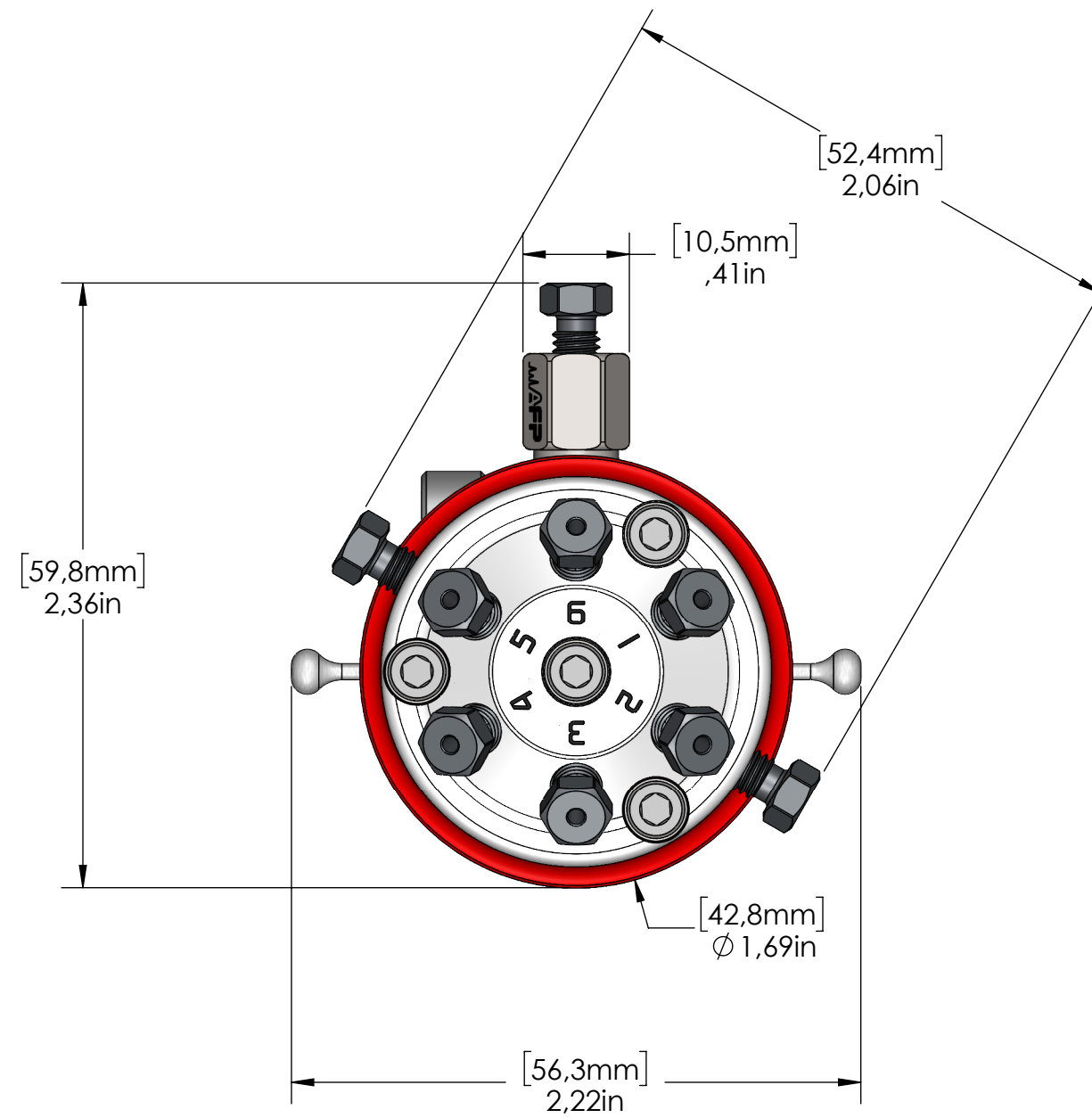




DATE	SYM	REVISION RECORD	ECO	DWN	ENG	MFG
2017-11-05	00	NEW RELEASE	0088	DB	AC	SL
2019-02-16	01	COMPONENT UPDATE	0107	AC	AC	SL



**SPECIFICATIONS:**

VALVE P/N	ELDV2-06-16MT-0005
VALVE TYPE	HIGH PERFORMANCE GRADE, MEDIUM TEMPERATURE
NUMBER OF PORTS	6
PORT SIZE	0.030" [0.76 mm]
PORT CONNECTION	1/16" [1.6 mm]
MAX. WORKING PRESSURE	300 psig [2070 kPa]
MAX. INITIAL LEAK	4.1E-10 Atm-cc/s He
MAX. INITIAL PRESSURE DROP	30 kPa @ 75 sccm N <sub>2</sub> , 15kPa max. between any sections
ACTUATOR TYPE	PNEUMATIC SINGLE ACTUATION (SPRING RETURN)
ACTUATION PRESSURE	65 psig [450 kPa]
GAS CONSUMPTION PER ACTUATION	0.05 in <sup>3</sup> [0.82 ml]
MAX. WORKING TEMPERATURE	356°F [180°C]
MATERIAL	ALUMINUM BODY SS-316L VALVE HEAD AFPD-2 DIAPHRAGM TYPE

MATERIAL:	2659, boul. du Parc Technologique, Quebec, Quebec, CANADA G1P 4S5		
	 Tel.: 418-338-0004 Fax: 418-338-2500 Email: info@afproducts.ca Web: www.afproducts.ca		
FINISH:	DESCRIPTION: ELDV-6 1/16 MT		
 ACCORDANCE WITH LATEST ASME Y14.5			
PROPRIETARY INFORMATION THIS DRAWING IS THE PROPERTY OF APN-AFP INC. IT IS RETURNABLE UPON REQUEST AND MUST NOT BE REPRODUCED OR THE INFORMATION CONTAINED HEREIN TRANSMITTED TO ANY UNAUTHORIZED PERSON OR ORGANIZATION WITHOUT THE WRITTEN CONSENT OF APN-AFP INC.			
UNIT	SIZE	DWG. NO.	REV.
IN	C	ELDV2-06-16MT-0005	01
SCALE 1,5:1		SHEET 1 OF 3	