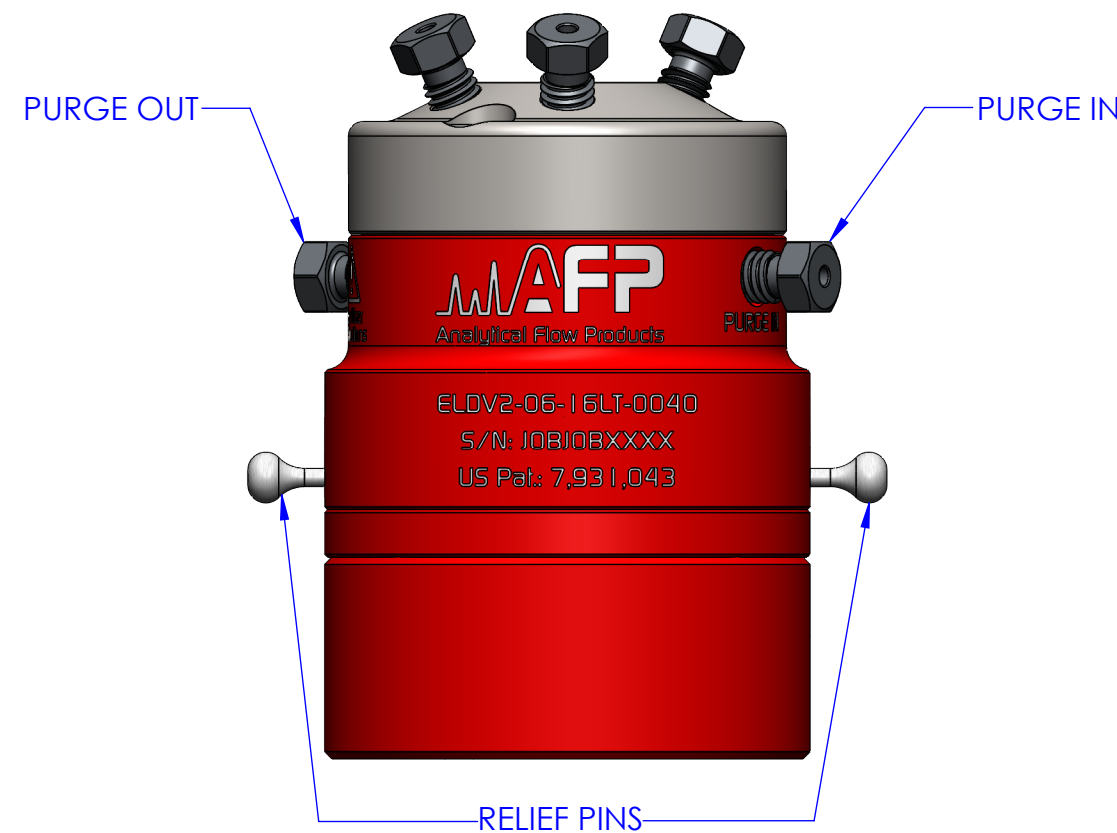
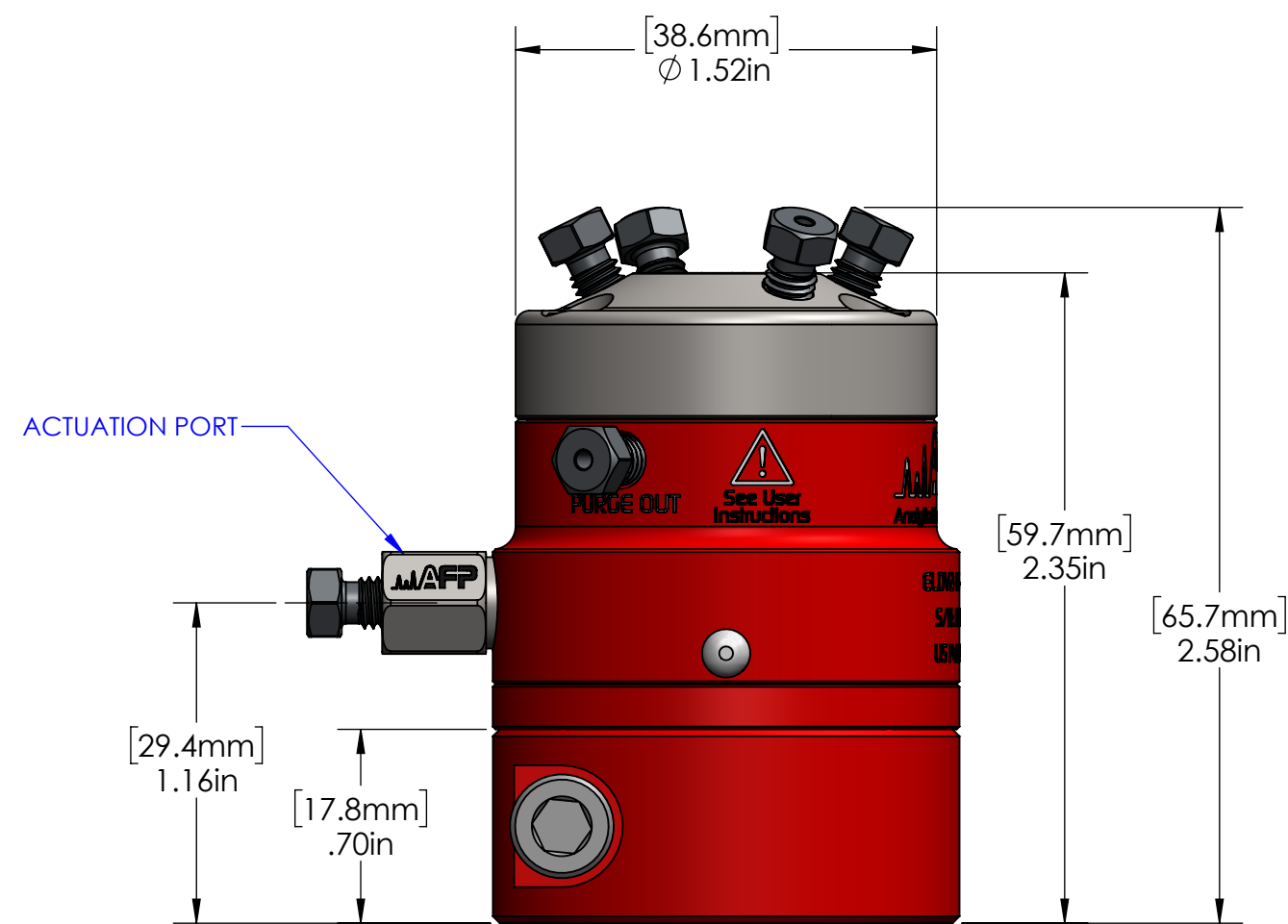
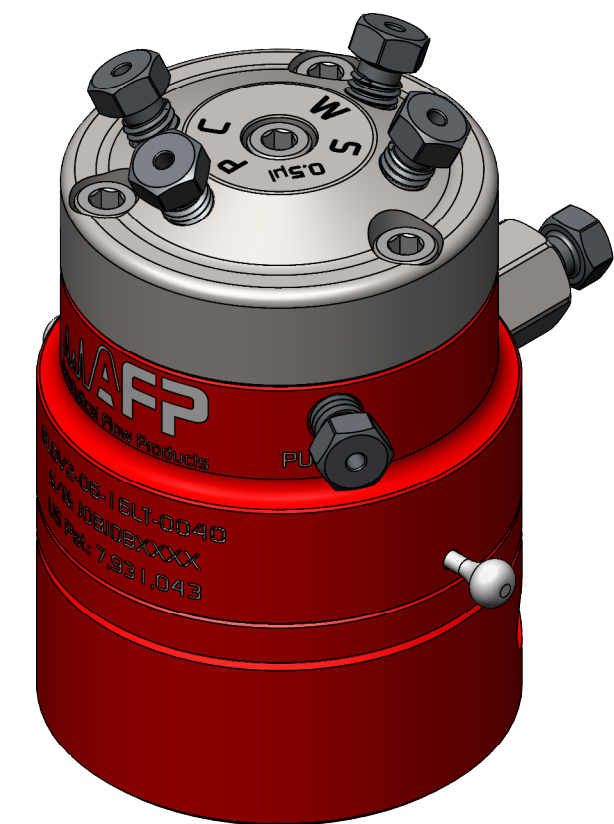
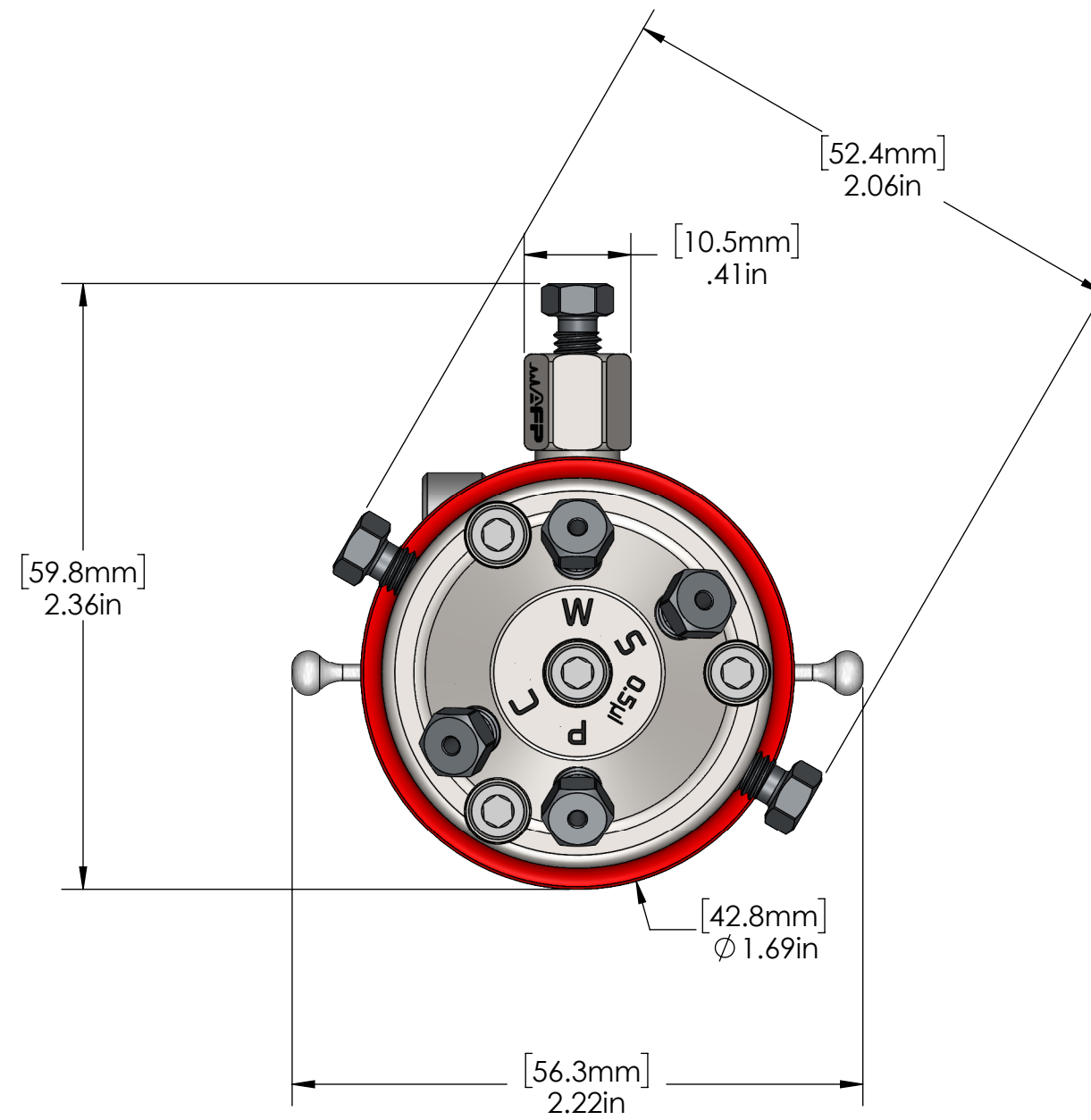



DATE	SYM	REVISION RECORD	ECO	DWN	ENG	MFG
2018-04-27	00	NEW RELEASE	0088	AC	AC	SL



SPECIFICATIONS:

VALVE P/N	ELD2-06-16LT-0040
VALVE TYPE	HIGH PERFORMANCE GRADE, LOW TEMPERATURE
NUMBER OF PORTS	4
PORT SIZE	0.030" [0.76 mm]
PORT CONNECTION	1/16" [1.6 mm]
SAMPLING LOOP SIZE	0.5µL
MAX. WORKING PRESSURE	300 PSI [2068 kPa]
MAX. INITIAL LEAK	3.7E-10 Atm-cc/s He
MAX. INITIAL PRESSURE DROP	30 kPa @ 75 sccm N ₂ (through sampling loop)
ACTUATOR TYPE	PNEUMATIC SINGLE ACTUATION (SPRING RETURN)
ACTUATION PRESSURE	65 PSI [450 kPa]
GAS CONSUMPTION PER ACTUATION	0.05 in ³ [0.82 ml]
MAX. WORKING TEMPERATURE	212°F [100°C]
MATERIAL	ALUMINUM BODY SS-316L VALVE HEAD AFPD-1 DIAPHRAGM TYPE

MATERIAL:	 Analytical Flow Products 2659, boul. du Parc Technologique, Quebec, CANADA G1P 4S5 Tel.: 418-338-0004 Fax: 418-338-2500 Email: info@afproducts.ca Web: www.afproducts.ca			
ACCORDANCE WITH LATEST ASME Y14.5		DESCRIPTION: MINI DIAPHRAGM VALVE 6 PORTS (0.5µL, LOW TEMPERATURE)		
UNIT	SIZE	DWG. NO.	REV.	
IN	C	ELD2-06-16LT-0040	00	
SCALE 1.5:1		SHEET 1 OF 3		

PROPRIETARY INFORMATION
 THIS DRAWING IS THE PROPERTY OF APN-AFP INC.
 IT IS RETURNABLE UPON REQUEST AND MUST NOT BE REPRODUCED
 OR THE INFORMATION CONTAINED HEREIN TRANSMITTED TO ANY
 UNAUTHORIZED PERSON OR ORGANIZATION WITHOUT THE
 WRITTEN CONSENT OF APN-AFP INC.